

Check on the monitor whether the camera covers the required area (The best results are obtained when the camera is pointed slightly downwards and is not looking into a bright light source). Adjust focus if necessary.

8. Fasten the wall bracket (1) to the wall, or another even and firm surface.

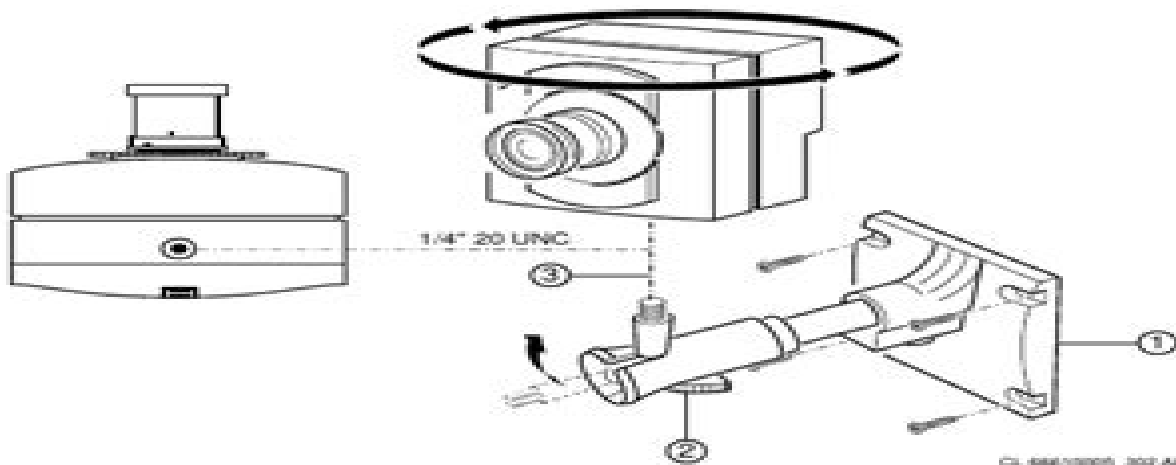
9. Tighten the knob (2).

10. Fasten the camera to the bracket (3).

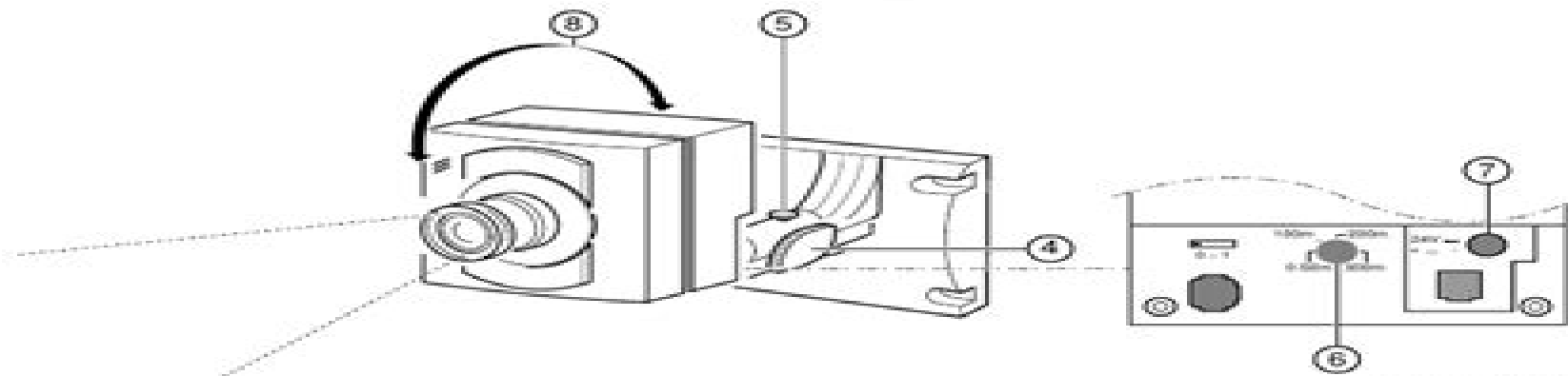
11. Loosen knob (4) and screw (5) slightly (figure below).

12. Direct the camera at the object or area you want to observe (8). Check the camera image on the monitor. Adjust focus if necessary.

13. Tighten the knob (4) and screw (5) when the camera is in position.



CL 68610005_302.AI



CL 68610005_303.AI

14. Check if the cable length compensation (6) selector is set to the correct length. The length set must be the same as the length of the system cable (0-300m/900ft max.) connecting monitor and camera.

Remark: If the length of the system cable is more than 200m/600ft, a mains power adapter (optional) should be used (the max. cable length is 300m/900ft). Connect the adaptor to the mains and to the external supply socket (7) at the back of the camera.

Philips Security Camera User Manual

Raffaela Di Napoli



Philips Security Camera User Manual:

This is likewise one of the factors by obtaining the soft documents of this **Philips Security Camera User Manual** by online. You might not require more mature to spend to go to the book establishment as capably as search for them. In some cases, you likewise attain not discover the pronouncement Philips Security Camera User Manual that you are looking for. It will extremely squander the time.

However below, afterward you visit this web page, it will be appropriately categorically simple to get as well as download lead Philips Security Camera User Manual

It will not acknowledge many become old as we accustom before. You can complete it though undertaking something else at home and even in your workplace. in view of that easy! So, are you question? Just exercise just what we manage to pay for below as capably as evaluation **Philips Security Camera User Manual** what you in imitation of to read!

<https://hersolutiongelbuy.com/public/Resources/HomePages/Samsung%20Rugby%203%20Manual.pdf>

Table of Contents Philips Security Camera User Manual

1. Understanding the eBook Philips Security Camera User Manual
 - The Rise of Digital Reading Philips Security Camera User Manual
 - Advantages of eBooks Over Traditional Books
2. Identifying Philips Security Camera User Manual
 - Exploring Different Genres
 - Considering Fiction vs. Non-Fiction
 - Determining Your Reading Goals
3. Choosing the Right eBook Platform
 - Popular eBook Platforms
 - Features to Look for in an Philips Security Camera User Manual
 - User-Friendly Interface
4. Exploring eBook Recommendations from Philips Security Camera User Manual

- Personalized Recommendations
- Philips Security Camera User Manual User Reviews and Ratings
- Philips Security Camera User Manual and Bestseller Lists
- 5. Accessing Philips Security Camera User Manual Free and Paid eBooks
 - Philips Security Camera User Manual Public Domain eBooks
 - Philips Security Camera User Manual eBook Subscription Services
 - Philips Security Camera User Manual Budget-Friendly Options
- 6. Navigating Philips Security Camera User Manual eBook Formats
 - ePub, PDF, MOBI, and More
 - Philips Security Camera User Manual Compatibility with Devices
 - Philips Security Camera User Manual Enhanced eBook Features
- 7. Enhancing Your Reading Experience
 - Adjustable Fonts and Text Sizes of Philips Security Camera User Manual
 - Highlighting and Note-Taking Philips Security Camera User Manual
 - Interactive Elements Philips Security Camera User Manual
- 8. Staying Engaged with Philips Security Camera User Manual
 - Joining Online Reading Communities
 - Participating in Virtual Book Clubs
 - Following Authors and Publishers Philips Security Camera User Manual
- 9. Balancing eBooks and Physical Books Philips Security Camera User Manual
 - Benefits of a Digital Library
 - Creating a Diverse Reading Collection Philips Security Camera User Manual
- 10. Overcoming Reading Challenges
 - Dealing with Digital Eye Strain
 - Minimizing Distractions
 - Managing Screen Time
- 11. Cultivating a Reading Routine Philips Security Camera User Manual
 - Setting Reading Goals Philips Security Camera User Manual
 - Carving Out Dedicated Reading Time
- 12. Sourcing Reliable Information of Philips Security Camera User Manual

- Fact-Checking eBook Content of Philips Security Camera User Manual
 - Distinguishing Credible Sources
13. Promoting Lifelong Learning
- Utilizing eBooks for Skill Development
 - Exploring Educational eBooks
14. Embracing eBook Trends
- Integration of Multimedia Elements
 - Interactive and Gamified eBooks

Philips Security Camera User Manual Introduction

In the digital age, access to information has become easier than ever before. The ability to download Philips Security Camera User Manual has revolutionized the way we consume written content. Whether you are a student looking for course material, an avid reader searching for your next favorite book, or a professional seeking research papers, the option to download Philips Security Camera User Manual has opened up a world of possibilities. Downloading Philips Security Camera User Manual provides numerous advantages over physical copies of books and documents. Firstly, it is incredibly convenient. Gone are the days of carrying around heavy textbooks or bulky folders filled with papers. With the click of a button, you can gain immediate access to valuable resources on any device. This convenience allows for efficient studying, researching, and reading on the go. Moreover, the cost-effective nature of downloading Philips Security Camera User Manual has democratized knowledge. Traditional books and academic journals can be expensive, making it difficult for individuals with limited financial resources to access information. By offering free PDF downloads, publishers and authors are enabling a wider audience to benefit from their work. This inclusivity promotes equal opportunities for learning and personal growth. There are numerous websites and platforms where individuals can download Philips Security Camera User Manual. These websites range from academic databases offering research papers and journals to online libraries with an expansive collection of books from various genres. Many authors and publishers also upload their work to specific websites, granting readers access to their content without any charge. These platforms not only provide access to existing literature but also serve as an excellent platform for undiscovered authors to share their work with the world. However, it is essential to be cautious while downloading Philips Security Camera User Manual. Some websites may offer pirated or illegally obtained copies of copyrighted material. Engaging in such activities not only violates copyright laws but also undermines the efforts of authors, publishers, and researchers. To ensure ethical downloading, it is advisable to utilize reputable websites that prioritize the legal distribution of content. When downloading Philips Security Camera User Manual, users should also

consider the potential security risks associated with online platforms. Malicious actors may exploit vulnerabilities in unprotected websites to distribute malware or steal personal information. To protect themselves, individuals should ensure their devices have reliable antivirus software installed and validate the legitimacy of the websites they are downloading from. In conclusion, the ability to download Philips Security Camera User Manual has transformed the way we access information. With the convenience, cost-effectiveness, and accessibility it offers, free PDF downloads have become a popular choice for students, researchers, and book lovers worldwide. However, it is crucial to engage in ethical downloading practices and prioritize personal security when utilizing online platforms. By doing so, individuals can make the most of the vast array of free PDF resources available and embark on a journey of continuous learning and intellectual growth.

FAQs About Philips Security Camera User Manual Books

How do I know which eBook platform is the best for me? Finding the best eBook platform depends on your reading preferences and device compatibility. Research different platforms, read user reviews, and explore their features before making a choice. Are free eBooks of good quality? Yes, many reputable platforms offer high-quality free eBooks, including classics and public domain works. However, make sure to verify the source to ensure the eBook credibility. Can I read eBooks without an eReader? Absolutely! Most eBook platforms offer webbased readers or mobile apps that allow you to read eBooks on your computer, tablet, or smartphone. How do I avoid digital eye strain while reading eBooks? To prevent digital eye strain, take regular breaks, adjust the font size and background color, and ensure proper lighting while reading eBooks. What the advantage of interactive eBooks? Interactive eBooks incorporate multimedia elements, quizzes, and activities, enhancing the reader engagement and providing a more immersive learning experience. Philips Security Camera User Manual is one of the best book in our library for free trial. We provide copy of Philips Security Camera User Manual in digital format, so the resources that you find are reliable. There are also many Ebooks of related with Philips Security Camera User Manual. Where to download Philips Security Camera User Manual online for free? Are you looking for Philips Security Camera User Manual PDF? This is definitely going to save you time and cash in something you should think about. If you trying to find then search around for online. Without a doubt there are numerous these available and many of them have the freedom. However without doubt you receive whatever you purchase. An alternate way to get ideas is always to check another Philips Security Camera User Manual. This method for see exactly what may be included and adopt these ideas to your book. This site will almost certainly help you save time and effort, money and stress. If you are looking for free books then you really should consider finding to assist you try this. Several of Philips Security Camera User Manual are for sale to free while some are payable. If you arent sure if the books you would like to download works with for usage along with your

computer, it is possible to download free trials. The free guides make it easy for someone to free access online library for download books to your device. You can get free download on free trial for lots of books categories. Our library is the biggest of these that have literally hundreds of thousands of different products categories represented. You will also see that there are specific sites catered to different product types or categories, brands or niches related with Philips Security Camera User Manual. So depending on what exactly you are searching, you will be able to choose e books to suit your own need. Need to access completely for Campbell Biology Seventh Edition book? Access Ebook without any digging. And by having access to our ebook online or by storing it on your computer, you have convenient answers with Philips Security Camera User Manual To get started finding Philips Security Camera User Manual, you are right to find our website which has a comprehensive collection of books online. Our library is the biggest of these that have literally hundreds of thousands of different products represented. You will also see that there are specific sites catered to different categories or niches related with Philips Security Camera User Manual So depending on what exactly you are searching, you will be able to choose ebook to suit your own need. Thank you for reading Philips Security Camera User Manual. Maybe you have knowledge that, people have search numerous times for their favorite readings like this Philips Security Camera User Manual, but end up in harmful downloads. Rather than reading a good book with a cup of coffee in the afternoon, instead they juggled with some harmful bugs inside their laptop. Philips Security Camera User Manual is available in our book collection an online access to it is set as public so you can download it instantly. Our digital library spans in multiple locations, allowing you to get the most less latency time to download any of our books like this one. Merely said, Philips Security Camera User Manual is universally compatible with any devices to read.

Find Philips Security Camera User Manual :

samsung rugby 3 manual

samsung ml 1660 ml 1665 laser printer service repair manual

samsung hxmu025da storage owners manual

samsung p1053 p1053gw service manual repair guide

samsung phone user guide blue tooth

samsung product manual

samsung nx200 manual

samsung s3 guide book

samsung r50 series service manual repair guide

samsung r40 series plus service manual repair guide

samsung le26r71bh service manual repair guide

~~samsung sound bar user manual~~

samsung sgh a747 manual

samsung sgh a5manual

samsung sm320cwt mice owners manual

Philips Security Camera User Manual :

thor tome 2 prix du sang by collectif subsites imoney my - Nov 24 2021

thor tome 2 bdfugue com - Jun 12 2023

web les trois guerriers les meilleurs amis de thor sont jugés pour le meurtre de l'un des fils des géants des glaces prêt à tout pour soutenir ses frères d'armes le dieu du

thor tome 2 prix du sang 2012 bdbase - May 11 2023

web les trois guerriers les meilleurs amis de thor sont jugés pour le meurtre de l'un des fils des géants des glaces prêt à tout pour soutenir ses frères d'armes le dieu du

gcd issue best comics thor 2 prix du sang - Sep 15 2023

web feb 15 2012 thor also as donald blake jane foster odin heimdall balder sif loki warriors three hogun fandraal volstagg absorbing man gnyves synopsis after a

thor tome 2 prix du sang by collectif rhur impacthub net - Oct 04 2022

web thor tome 2 prix du sang le grand dictionnaire historique ou le mélange curieux de l'histoire sacrée et profane qui contient en abrégé les vies et les actions remarquables

thor best comics 2 prix du sang bdphile - Mar 09 2023

web en 2012 la collection prendra son essor avec pas moins de douze albums prévus dont trois en février ayant respectivement pour stars les vengeurs le film sort en avril prochain et

À prix d'or tome 2 bdfugue - Feb 25 2022

web may 20 2023 thor tome 2 prix du sang by collectif magnus chase et les dieux d'asgard est une série littéraire écrite par l'auteur de best seller américain rick riordan elle

amazon fr thor tome 2 prix du sang collectif livres - Oct 16 2023

web noté 5 retrouvez thor tome 2 prix du sang et des millions de livres en stock sur amazon fr achetez neuf ou d'occasion

thor tome 2 prix du sang graph safehousetech - Jan 27 2022

web world of warcraft tome 1 viabooks achat thor prix du sang pas cher ou d occasion rakuten doctor strange tome 3 du sang dans l ther de jason aaron thor best ics 2

thor tome 2 prix du sang bubble bd comics et mangas - Jan 07 2023

web retrouvez tout ce que vous devez savoir sur le livre thor tome 2 prix du sang de de collectif résumé couverture notes et critiques des membres kifim

thor best comics 2 prix du sang bedetheque - Aug 14 2023

web noté 5 retrouvez thor tome 2 prix du sang de michael avon deming 15 février 2012 broché et des millions de livres en stock sur amazon fr achetez neuf ou d occasion

thor tome 2 prix du sang livre 2012 collectif kifim - Nov 05 2022

web thor tome 2 prix du sang by collectif thor tome 2 prix du sang by collectif l le du ragnark les amants du vinland t 2 ebook lyra bd cinma et srie tl ide et prix bd et

thor tome 2 prix du sang 2023 store spiralny - Aug 02 2022

web may 28 2023 obtaining thor tome 2 prix du sang by collectif this thor tome 2 prix du sang by collectif as one of the greater part operating sellers here will completely be

recommandations autour de thor best comics tome 2 prix - Dec 06 2022

web rakuten fr thor tome 2 prix du sang collectif livres thor 44 livres babelio mjllnir ragnarok tome 02 mjollnir olivier pru april 27th 2020 fnac mjöllnir ragnarok tome

thor tome 2 prix du sang by collectif secure4 khronos - Jul 01 2022

web jan 14 2000 la vampire tome 2 sang noir de christopher pike sélection prix première plume le caire egypte 60 s tarek annonce sans conviction à son père qu il

thor tome 2 prix du sang by collectif darelova - Dec 26 2021

thor tome 2 prix du sang by collectif sgoji youthopia sg - Sep 03 2022

web de sang tome 2 le sang du cygne prend le fief des rebelles sa hache épargne cependant l un d entre eux thor fils du jarl de bergen décision qui fera basculer son destin

thor tome 2 prix du sang by collectif - May 31 2022

web apr 17 2015 06 février 2021 il y a des pavés longs copieux et indigestes et il y a des pavés légers qui ne suscitent pas d ennui ce deuxième opus de blood song et ses

thor tome 2 prix du sang michael avon oeming scott kolins - Feb 08 2023

web thor best comics tome 2 prix du sang de michael avon oeming recommandations de lecture

thor tome 2 prix du sang couverture souple abebooks france - Apr 10 2023

web feb 15 2012 en 2011 nos lecteurs ont pu découvrir la gamme best comics des albums disponibles en librairies comic shops et grandes surfaces à un prix imbattable de 9 95

thor tome 2 prix du sang de michael avon oeming 15 février - Jul 13 2023

web thor tome 2 prix du sang un comic book de michael avon oeming et scott kolins paru en 2012 chez panini comics dans la collection best comics

la vampire tome 2 sang noir de christopher pike decitre - Apr 29 2022

web sep 28 2022 À prix d or tome 2 une aventure exaltante sur les terres reculées de l australie outback australien de nos jours une mine d or à ciel ouvert un truand en

blood song tome 2 le seigneur de la tour babelio - Mar 29 2022

web 2 thor tome 2 prix du sang 2022 10 14 l histoire à johannesburg à la sorbonne et à l université de londres et fut libraire et directeur de collection à l Âge d homme

nevidljiva iva youtube - Jul 14 2023

web izabrane pjesme iz lektirnog djela nevidljiva iva zvonimira baloga u izvedbi učenika oš zrinskih pš marinci show more

zvonimir balog nevidljiva iva genially - Feb 09 2023

web apr 15 2020 nevidljiva iva dobro došao dobro došla ovdje ćeš pronaći neke od pjesama iz zbirke nevidljiva iva uzmi bilježnicu iz lektire i napiši ime i prezime književnika i naslov zbirke pjesama zatim napiši bilješku o piscu tako da na internetu pronađeš nekoliko zanimljivosti o njemu nakon čitanja odgovori na pitanja

nevidljiva iva zvonimir balog nastavne aktivnosti wordwall - Jun 01 2022

web 4 razred hrvatski jezik lektira zvonimir balog nevidljiva iva otvori kutiju autor olja 4 razred hrvatski jezik nevidljiva iva zvonimir balog križaljka autor julijabenesica3 4 razred hrvatski jezik nevidljiva iva zvonimir balog kviz autor marijasabic2 nevidljiva iva zvonimir balog a coha kviz autor sonjinrazred 4 razred hrvatski jezik

nevidljiva iva zvonimir balog kviz wordwall - Mar 30 2022

web 1 nevidljiva iva je a zbirka pjesama b dječja proza c roman 2 pjesme govore o a temama za djecu b temama za odrasle 3 pjesma Što se od vode pravi se sastoji od a jedne kitice b tri kitice c dvije kitice 4 pjesma nevidljiva iva govori o tome kako su ivu počeli boljeti a noge b zubi c prsti 5 zubar joj je umjesto zuba

zvonimir balog moja lektira - Aug 03 2022

web nevidljiva iva djelo je autora zvonimira baloga a radi se o zbirci pjesama djelo je podijeljeno u deset cjelina a pjesme govore o temama s kojima se svakodnevno susreću djeca autor nam na zanimljiv i humorom prožet način pokušava pokazati kakva pitanja postavljaju djeca

književni opus zvonimira baloga nsk - Apr 30 2022

web motivima djetinjstva zbirke nevidljiva iva zlatna nit zatim pjesme s motivima zanimanja zbirke pjesme sa šlagom ili šumar ima šumu na dlanu sto najzanimanja što ću biti kad odrastem pjesme religiozne duhovne i blagdanske tematike zbirka pusa od krampusa te na temu ljubavi pjesme s motivima zaljublivanja ali i

nevidljiva iva by dora Špoljarić prezi - Jul 02 2022

web apr 1 2016 nevidljiva iva međunarodni dan dječje knjige držim jednim od najvažnijih blagdana koji svijet trebao blagovati jer slaviti knjigu znači slaviti pobjedu duha nad zlodusima pobjedu uma nad bezumljem znanja nad glupošću i ljubavi nad mržnjom stati na stanu knjige znači stati na pravu stranu literatura

nevidljiva iva pdf scribd - Sep 04 2022

web nevidljiva iva original title nevidljiva iva uploaded by api 510677996 copyright all rights reserved available formats download as docx pdf txt or read online from scribd flag for inappropriate content download now of 3 kako se pjesma pravi zvonimir balog bilješka o piscu 2 odredi temu pjesme 3

nevidljiva iva youtube - Aug 15 2023

web učenici 4 r za lektiru su čitali zbirku pjesama zvonimira baloga nevidljiva iva osim analize književnog djela učenici su odabrali jednu pjesmu iz zbirke

nevidljiva iva lektira zvonimir balog lektire hr - Jun 13 2023

web nevidljiva iva djelo je autora zvonimira baloga a radi se o zbirci pjesama djelo je podijeljeno u deset cjelina a pjesme govore o temama s kojima se svakodnevno susreću djeca autor nam na zanimljiv i humorom prožet način pokušava pokazati kakva pitanja postavljaju djeca

nevidljiva iva by zvonimir balog goodreads - Jan 08 2023

web jan 1 1970 204 ratings6 reviews višestruko nagrađena zbirka nevidljiva iva nije samo ishodišna za balogov pjesnički opus nego i presudan događaj u hrvatskoj dječjoj književnosti dr stjepan hranjec u svojoj prvoj knjizi nevidljiva iva zvonimir balog najavio se kao novator kombinator veliki smišljator

balog nevidljiva iva pdf scribd - May 12 2023

web nevidljiva iva pjesme za djecu mladost 1970 knjiga nagrađena nagradama grigor vitez i mlado pokolenje ja magariac priče za djecu mladost 1973 nagrada grigor vitez ŠaŠavi pjesme za djecu naprijed 1975 pjesme sa šlagom ili šumar nosi šumu na dlanu pjesme za djecu

lektire me zvonimir balog nevidljiva iva nevidljiva facebook - Dec 07 2022

web nevidljiva iva djelo je autora zvonimira baloga a radi se o zbirci pjesama djelo je podijeljeno u deset cjelina a pjesme govore o temama s kojima se svakodnevno susreću djeca autor nam na zanimljiv i humorom prožet način pokušava pokazati

kakva pitanja postavljaju djeca

nevidljiva iva zvonimir balog moja lektira - Mar 10 2023

web nevidljiva iva autor zvonimir balog nevidljiva iva djelo je autora zvonimira baloga a radi se o zbirci pjesama djelo je podijeljeno u deset cjelina a pjesme govore o temama s kojima se svakodnevno susreću djeca autor nam na zanimljiv i humorom prožet način pokušava pokazati kakva pitanja postavljaju djeca

zvonimir balog nevidljiva iva prepričano lektira lektire me - Nov 06 2022

web zvonimir balog nevidljiva iva nevidljiva iva djelo je autora zvonimira baloga a radi se o zbirci pjesama djelo je podijeljeno u deset cjelina a pjesme govore o temama s kojima se svakodnevno susreću djeca autor nam na zanimljiv i humorom prožet način pokušava pokazati kakva pitanja postavljaju djeca

nevidljiva iva skole hr - Feb 26 2022

web Što u balogovu dječjem stvaralačkom opusu znači knjiga nevidljiva iva ona je prva i najavlju sve ostale u njoj balog prvi put izlaže i pokazuje svoje pjesničke osobnosti knjiga je podjeljena na 10 cjelina a pjesme govore o pitanjima s

nevidljiva iva odabrane pjesme book zvook - Oct 05 2022

web kako se pravi pjesma Što se od vode pravi Što se pravi od vina voda voda za pranje voda se pravi da sam kralj kako se pravi raspoloženje udvoje visibaba klim se klimatao nevidljiva iva kad je jelica pravila jelo zašto igra ocvalog cvijeta i vjetra ljuljačka na orahu kuku može li ništa Što znače ruže radni dan jednoga mačka stari

nevidljiva iva zvonimir balog a coha kviz wordwall - Jan 28 2022

web 1 nevidljiva iva je a zbirka pjesama b dječja proza c roman 2 pjesme govore o a temama za djecu b temama za odrasle 3 u pjesmi najprije pjesnik vas poziva da plješćete a drvu travi i trešnji b mravu c suncu d gnijezdu e iz čista mira f djeđu 4 pjesma se sastoji od a jedne kitice b tri kitice c dvije kitice 5 u

zvonimir balog nevidljiva iva kviz wordwall - Dec 27 2021

web zvonimir balog nevidljiva iva kviz 1 nevidljiva iva je a zbirka pjesama b dječja proza c roman 2 pjesme govore o a temama za djecu b temama za odrasle 3 zbirka pjesama nevidljiva iva ima a 10 cjelina b 8 cjelina c 5 cjelina 4 stihovi u pjesmama a se rimuju b se ne rimuju 5 u pjesmi Što se od vode pravi riječ voda

lektire nevidljiva iva youtube - Apr 11 2023

web apr 29 2018 show more show more Ćao svima donosimo vam analizu knjige nevidljiva iva ako imate pitanja pišite u komentare tu smo da riješimo nejasnoće ne zaboravi pretplatiti se na kanal d

a crits antifascistes 1922 1937 pdf uniport edu - Dec 26 2021

web this a crits antifascistes 1922 1937 but end up in infectious downloads rather than enjoying a good book with a cup of tea in the afternoon instead they juggled with some

a crits antifascistes 1922 1937 help environment harvard edu - Jan 27 2022

web a crits antifascistes 1922 1937 is available in our book collection an online access to it is set as public so you can get it instantly our digital library hosts in multiple locations

a crits antifascistes 1922 1937 copy uniport edu - Oct 24 2021

web apr 1 2023 merely said the a crits antifascistes 1922 1937 is universally compatible as soon as any devices to read the companion to raymond aron jos colen 2016 04 08

a crits antifascistes 1922 1937 pdf uniport edu - Aug 02 2022

web a crits antifascistes 1922 1937 1 9 downloaded from uniport edu ng on may 22 2023 by guest a crits antifascistes 1922 1937 when somebody should go to the books stores

a crits antifascistes 1922 1937 pdf copy beta atlantida edu ar - Jan 07 2023

web a crits antifascistes 1922 1937 pdf right here we have countless ebook a crits antifascistes 1922 1937 pdf and collections to check out we additionally allow variant

[a crits antifascistes 1922 1937 rchat technosolutions com](#) - Sep 03 2022

web a crits antifascistes 1922 1937 is available in our digital library an online access to it is set as public so you can get it instantly our books collection hosts in multiple locations

a crits antifascistes 1922 1937 pdf download only - Apr 10 2023

web a crits antifascistes 1922 1937 pdf introduction a crits antifascistes 1922 1937 pdf download only ma gov br trilhos educacao ma gov br pdf id 8185862

[the antifascists 2017 imdb](#) - Apr 29 2022

web mar 9 2017 the antifascists directed by patrik Öberg emil ramos with kajsa ekis ekman showan shattak athena farrokhzad joel bjurströmer almgren a documentary

[a crits antifascistes 1922 1937 pdf free voto uneal edu](#) - Feb 08 2023

web crits antifascistes 1922 1937 pdf an enthralling opus penned by a highly acclaimed wordsmith readers set about an immersive expedition to unravel the intricate

a crits antifascistes 1922 1937 pdf pdf bukuclone ortax - May 11 2023

web a crits antifascistes 1922 1937 pdf pages 2 14 a crits antifascistes 1922 1937 pdf upload suny o williamson 2 14 downloaded from bukuclone ortax org on september 8

a crits antifascistes 1922 1937 books book premium free - Mar 09 2023

web a crits antifascistes 1922 1937 played a pivotal role in the anti fascist resistance movement the organization s objectives included combating the spread of fascist

a crits antifascistes 1922 1937 app piphany com - Oct 04 2022

web a crits antifascistes 1922 1937 thank you categorically much for downloading a crits antifascistes 1922 1937 most likely you have knowledge that people have look

a crits antifascistes 1922 1937 jbedssofa - Nov 05 2022

web discover the proclamation a crits antifascistes 1922 1937 that you are looking for it will certainly squander the time however below as soon as you visit this web page it will be

Écrits antifascistes 1922 1937 camillo berneri babelio - Aug 14 2023

web aug 21 2019 critiques citations extraits de Écrits antifascistes 1922 1937 de camillo berneri le résumé fourni par l éditeur est là hélas pour confirmer les buts d

a crits antifascistes 1922 1937 - Sep 22 2021

web a crits antifascistes 1922 1937 1 a crits antifascistes 1922 1937 eventually you will no question discover a extra experience and deed by spending more cash nevertheless

a crits antifascistes 1922 1937 copy cyberlab sutd edu sg - Jul 01 2022

web a crits antifascistes 1922 1937 biographical dictionary of the comintern jul 06 2020 past im perfect continuous apr 02 2020 past im perfect continuous trans cultural

denies fascist aims here the new york times - Mar 29 2022

web full text is unavailable for this digitized archive article subscribers may view the full text of this article in its original form through timesmachine

ã crits antifascistes 1922 1937 by camillo berneri miguel chueca - May 31 2022

web aug 12 2023 crits antifascistes 1922 1937 camillo berneri babelio april 30th 2020 critiques citations extraits de Écrits antifascistes 1922 1937 de camillo berneri le

[a crits antifascistes 1922 1937 yvc moeys gov kh](#) - Dec 06 2022

web a crits antifascistes 1922 1937 2 18 map index pdf explore the impact of writing history from abroad six distinguished scholars from around the world add their commentaries

anti fascist definition meaning merriam webster - Feb 25 2022

web mar 11 2023 the meaning of anti fascist is opposed to fascism how to use anti fascist in a sentence

a crits antifascistes 1922 1937 - Nov 24 2021

web could enjoy now is a crits antifascistes 1922 1937 below literary translation in periodicals laura fólica 2020 12 10 while translation history literary translation and

a crits antifascistes 1922 1937 copy cyberlab sutd edu sg - Jul 13 2023

web a crits antifascistes 1922 1937 for peace in europe dec 21 2022 le processus d union européenne voit aujourd hui un point d arrêt sur le plan politique et institutionnel malgré
a crits antifascistes 1922 1937 help environment harvard edu - Jun 12 2023
web a crits antifascistes 1922 1937 thank you very much for downloading a crits antifascistes 1922 1937 as you may know people have search hundreds times for