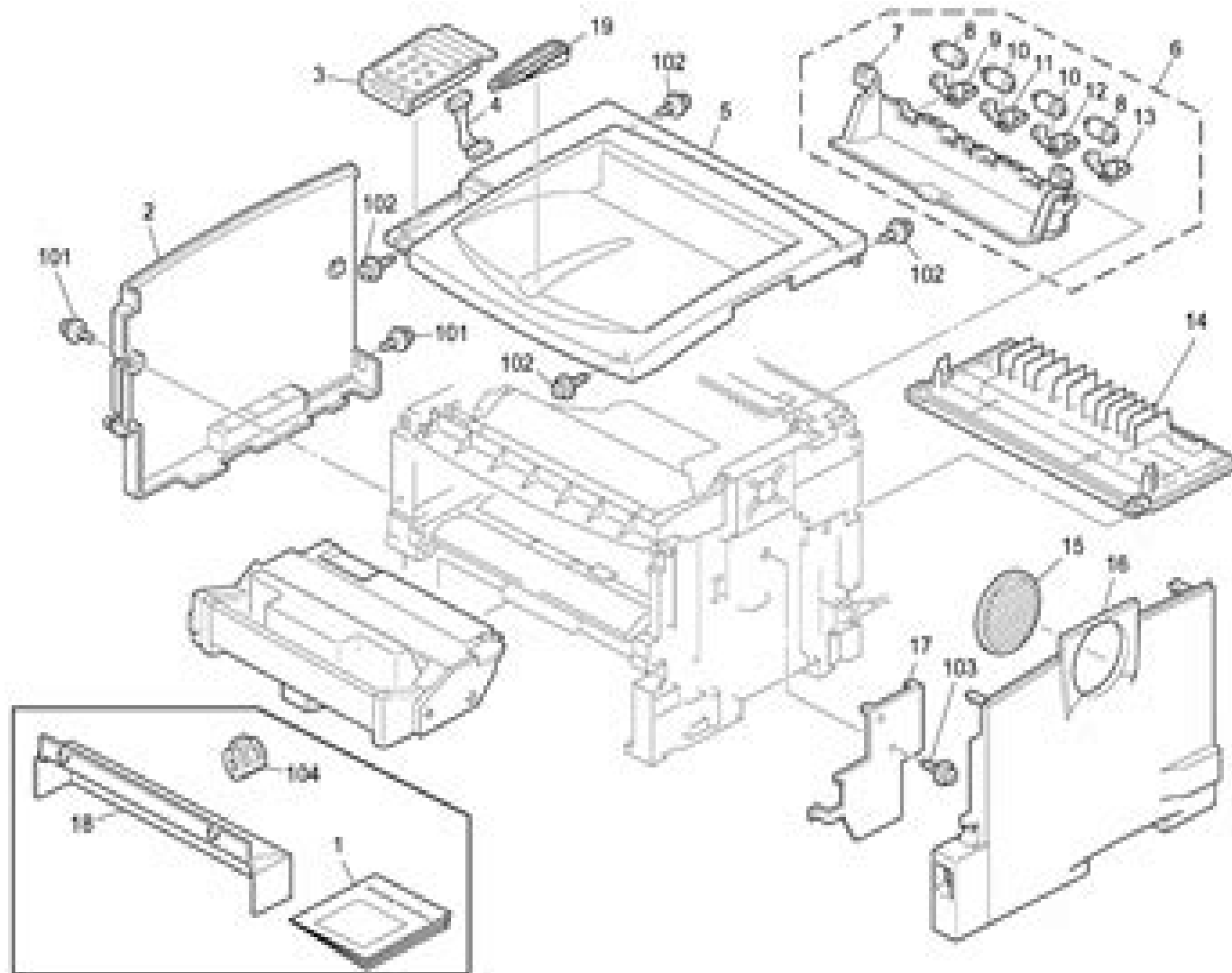


2.EXTERIOR 2 (G094/G095/G112/G113)



Ricoh Ap410n Manual

JA Banks



Ricoh Ap410n Manual:

Embark on a transformative journey with is captivating work, **Ricoh Ap410n Manual** . This enlightening ebook, available for download in a convenient PDF format , invites you to explore a world of boundless knowledge. Unleash your intellectual curiosity and discover the power of words as you dive into this riveting creation. Download now and elevate your reading experience to new heights .

<https://hersolutiongelbuy.com/results/Resources/HomePages/Theory%20And%20Applications%20Of%20Ontology%20Computer%20Applications.pdf>

Table of Contents Ricoh Ap410n Manual

1. Understanding the eBook Ricoh Ap410n Manual
 - The Rise of Digital Reading Ricoh Ap410n Manual
 - Advantages of eBooks Over Traditional Books
2. Identifying Ricoh Ap410n Manual
 - Exploring Different Genres
 - Considering Fiction vs. Non-Fiction
 - Determining Your Reading Goals
3. Choosing the Right eBook Platform
 - Popular eBook Platforms
 - Features to Look for in an Ricoh Ap410n Manual
 - User-Friendly Interface
4. Exploring eBook Recommendations from Ricoh Ap410n Manual
 - Personalized Recommendations
 - Ricoh Ap410n Manual User Reviews and Ratings
 - Ricoh Ap410n Manual and Bestseller Lists
5. Accessing Ricoh Ap410n Manual Free and Paid eBooks
 - Ricoh Ap410n Manual Public Domain eBooks
 - Ricoh Ap410n Manual eBook Subscription Services

- Ricoh Ap410n Manual Budget-Friendly Options
- 6. Navigating Ricoh Ap410n Manual eBook Formats
 - ePub, PDF, MOBI, and More
 - Ricoh Ap410n Manual Compatibility with Devices
 - Ricoh Ap410n Manual Enhanced eBook Features
- 7. Enhancing Your Reading Experience
 - Adjustable Fonts and Text Sizes of Ricoh Ap410n Manual
 - Highlighting and Note-Taking Ricoh Ap410n Manual
 - Interactive Elements Ricoh Ap410n Manual
- 8. Staying Engaged with Ricoh Ap410n Manual
 - Joining Online Reading Communities
 - Participating in Virtual Book Clubs
 - Following Authors and Publishers Ricoh Ap410n Manual
- 9. Balancing eBooks and Physical Books Ricoh Ap410n Manual
 - Benefits of a Digital Library
 - Creating a Diverse Reading Collection Ricoh Ap410n Manual
- 10. Overcoming Reading Challenges
 - Dealing with Digital Eye Strain
 - Minimizing Distractions
 - Managing Screen Time
- 11. Cultivating a Reading Routine Ricoh Ap410n Manual
 - Setting Reading Goals Ricoh Ap410n Manual
 - Carving Out Dedicated Reading Time
- 12. Sourcing Reliable Information of Ricoh Ap410n Manual
 - Fact-Checking eBook Content of Ricoh Ap410n Manual
 - Distinguishing Credible Sources
- 13. Promoting Lifelong Learning
 - Utilizing eBooks for Skill Development
 - Exploring Educational eBooks
- 14. Embracing eBook Trends

- Integration of Multimedia Elements
- Interactive and Gamified eBooks

Ricoh Ap410n Manual Introduction

Free PDF Books and Manuals for Download: Unlocking Knowledge at Your Fingertips In today's fast-paced digital age, obtaining valuable knowledge has become easier than ever. Thanks to the internet, a vast array of books and manuals are now available for free download in PDF format. Whether you are a student, professional, or simply an avid reader, this treasure trove of downloadable resources offers a wealth of information, conveniently accessible anytime, anywhere. The advent of online libraries and platforms dedicated to sharing knowledge has revolutionized the way we consume information. No longer confined to physical libraries or bookstores, readers can now access an extensive collection of digital books and manuals with just a few clicks. These resources, available in PDF, Microsoft Word, and PowerPoint formats, cater to a wide range of interests, including literature, technology, science, history, and much more. One notable platform where you can explore and download free Ricoh Ap410n Manual PDF books and manuals is the internet's largest free library. Hosted online, this catalog compiles a vast assortment of documents, making it a veritable goldmine of knowledge. With its easy-to-use website interface and customizable PDF generator, this platform offers a user-friendly experience, allowing individuals to effortlessly navigate and access the information they seek. The availability of free PDF books and manuals on this platform demonstrates its commitment to democratizing education and empowering individuals with the tools needed to succeed in their chosen fields. It allows anyone, regardless of their background or financial limitations, to expand their horizons and gain insights from experts in various disciplines. One of the most significant advantages of downloading PDF books and manuals lies in their portability. Unlike physical copies, digital books can be stored and carried on a single device, such as a tablet or smartphone, saving valuable space and weight. This convenience makes it possible for readers to have their entire library at their fingertips, whether they are commuting, traveling, or simply enjoying a lazy afternoon at home. Additionally, digital files are easily searchable, enabling readers to locate specific information within seconds. With a few keystrokes, users can search for keywords, topics, or phrases, making research and finding relevant information a breeze. This efficiency saves time and effort, streamlining the learning process and allowing individuals to focus on extracting the information they need. Furthermore, the availability of free PDF books and manuals fosters a culture of continuous learning. By removing financial barriers, more people can access educational resources and pursue lifelong learning, contributing to personal growth and professional development. This democratization of knowledge promotes intellectual curiosity and empowers individuals to become lifelong learners, promoting progress and innovation in various fields. It is worth noting that while accessing free Ricoh Ap410n Manual PDF books and manuals is convenient and cost-effective, it is vital to respect copyright

laws and intellectual property rights. Platforms offering free downloads often operate within legal boundaries, ensuring that the materials they provide are either in the public domain or authorized for distribution. By adhering to copyright laws, users can enjoy the benefits of free access to knowledge while supporting the authors and publishers who make these resources available. In conclusion, the availability of Ricoh Ap410n Manual free PDF books and manuals for download has revolutionized the way we access and consume knowledge. With just a few clicks, individuals can explore a vast collection of resources across different disciplines, all free of charge. This accessibility empowers individuals to become lifelong learners, contributing to personal growth, professional development, and the advancement of society as a whole. So why not unlock a world of knowledge today? Start exploring the vast sea of free PDF books and manuals waiting to be discovered right at your fingertips.

FAQs About Ricoh Ap410n Manual Books

How do I know which eBook platform is the best for me? Finding the best eBook platform depends on your reading preferences and device compatibility. Research different platforms, read user reviews, and explore their features before making a choice. Are free eBooks of good quality? Yes, many reputable platforms offer high-quality free eBooks, including classics and public domain works. However, make sure to verify the source to ensure the eBook credibility. Can I read eBooks without an eReader? Absolutely! Most eBook platforms offer web-based readers or mobile apps that allow you to read eBooks on your computer, tablet, or smartphone. How do I avoid digital eye strain while reading eBooks? To prevent digital eye strain, take regular breaks, adjust the font size and background color, and ensure proper lighting while reading eBooks. What the advantage of interactive eBooks? Interactive eBooks incorporate multimedia elements, quizzes, and activities, enhancing the reader engagement and providing a more immersive learning experience. Ricoh Ap410n Manual is one of the best book in our library for free trial. We provide copy of Ricoh Ap410n Manual in digital format, so the resources that you find are reliable. There are also many Ebooks of related with Ricoh Ap410n Manual. Where to download Ricoh Ap410n Manual online for free? Are you looking for Ricoh Ap410n Manual PDF? This is definitely going to save you time and cash in something you should think about.

Find Ricoh Ap410n Manual :

theory and applications of ontology computer applications
thinkpad t41 user guide

the wrong man a novel

thermal energy and matter answers

themes for writing essays

[thermal physics schroeder solution manual](#)

thinking functionally with haskell

think your way to wealth

theory of knowledge sample papers

[thinking of you english edition](#)

[thermodynamics an engineering approach 7th edition solution manual scribd](#)

theo 530 final exam answers

[thematic units on family and friends](#)

think smart manual handling

theatre 10th edition

Ricoh Ap410n Manual :

Lateral Thinking: A Textbook of Creativity Lateral thinking is all about freeing up your imagination. Through a series of special techniques, in groups or working alone, Edward de Bono shows us how to ... Lateral Thinking: Creativity Step by Step - Amazon.com Where vertical thinking seeks to find one answer, lateral thinking aims to find as many alternatives as possible, no matter how silly the alternatives may ... Lateral Thinking by Edward de Bono According to Bono, lateral thinking is creative and relies on 'thinking in an explorative manner to find different possibilities'. Vertical thinking is ... Lateral Thinking by E de Bono · Cited by 2964 — A Textbook of Creativity. Penguin Books. Page 2. ABC Amber ePub Converter Trial ... Lateral thinking is closely related to creativity. But whereas creativity is. Is Edward de Bono's Lateral Thinking worth a read? May 18, 2013 — His proposition is that it is possible to learn how to think. He has authored many books about creativity. Lateral Thinking By Edward De Bono 37.epub In his book Lateral Thinking: A Textbook of Creativity, de Bono explains the theory and practice of lateral thinking, and provides a series of techniques and ... Lateral Thinking: A Textbook of Creativity - Edward de Bono THE classic work about improving creativity from world-renowned writer and philosopher Edward de Bono. In schools we are taught to meet problems head-on: ... LATERAL THINKING A Textbook of Creativity New York: Harper & Row, 1970. 1st U.S. Edition; First Printing. Hardcover. Item #169317 ISBN: 0060110074 Very Good+ in a Very Good+ dust jacket. ; 9.3 X 6.4 ... List of books by author Edward de Bono Looking for books by Edward de Bono? See all books authored by Edward de Bono, including Six Thinking Hats, and Lateral Thinking: A Textbook of Creativity, ... ACELLUS

ALGEBRA 2 Flashcards ALL UNITS Learn with flashcards, games, and more — for free. Acellus algebra 2 answer keys Sep 25, 2023 — Discover videos related to Acellus algebra 2 answer keys on TikTok. Acellus Algebra 2 Answers 49 Acellus Algebra 2 Answers 49. 1. Acellus Algebra 2 Answers 49. The Chaos Scenario. Fundamentals of Thermal-fluid Sciences. A Framework for K-12 Science ... acellus algebra 2 answers Sep 10, 2023 — Discover videos related to acellus algebra 2 answers on TikTok. Algebra II | Acellus Learning System Course Overview. Algebra II builds upon the algebraic concepts taught in Algebra I, continuing on to functions, expressions, etc. and providing students ... Algebra 2 Answers and Solutions 11th grade Algebra 2 answers, solutions, and theory for high school math, 10th to 11th grade. Like a math tutor, better than a math calculator or problem solver. Acellus Algebra 2 Acellus Algebra Ii Acellus Algebra 2 Answers YouTube April 23rd, 2018 - Acellus Algebra 2 Answers Andrea J Ward Loading APEX ALGEBRA II ANSWERS ALL. This is ... Acellus Answer Key Pdf - Fill Online, Printable, Fillable, Blank ... The Acellus answer key PDF is a document that contains the correct answers to questions and assignments in the Acellus educational program. Answered: Acellus Complete the equation... Mar 1, 2021 — Solution for Acellus Complete the equation describing how x and y are related. $1012345-2267y = x + [?]$ Enter the answer that ... Answer Key To Al-Kitaab Fii Ta'allum Al-'Arabiyya 2nd ... This answer key is to be used with Al-Kitaab fii Ta callum al-cArabiyya: A Textbook for Beginning Arabic: Part One, Second Edition. The answer key for ... Answer Key to Al-Kitaab fii Tacallum al-cArabiyya This answer key is to be used with Al-Kitaab fii Ta callum al-cArabiyya: A Textbook for Beginning Arabic: Part One, Second Edition. The answer key for Al-Kitaab ... Answer Key to Al-Kitaab fii Tacallum al-cArabiyya This revised and updated answer key accompanies both DVD and textbook exercises in Al-Kitaab fii Ta callum al cArabiyya with DVDs, Part Two, Second Edition. Answer Key To Al-Kitaab Fii Ta'allum Al-'Arabiyya 2nd ... Introduction to Attic Greek: Answer Key 9780520955004. This booklet provides the answers to the exercises in Introduction to Attic Greek, 2nd Edition by ... Answer Key to Al-Kitaab fii Ta'allum al-'Arabiyya - A ... This answer key is to be used with Al-Kitaab fii Ta Callum al-cArabiyya: A Textbook for Beginning Arabic: Part One, Second Edition. Answer Key to Al-Kitaab fii Tacallum al-cArabiyya This revised and updated answer key accompanies both DVD and textbook exercises in Al-Kitaab fii Ta callum al cArabiyya with DVDs, Part Two, Second Edition. Al-Kitaab Part Two Answer Key | PDF Al-Kitaab Part Two Answer Key - Free download as PDF File (.pdf) or read online for free. Answer Key to Al-Kitaab Fii Ta Callum al-CArabiyya: A Textbook for ... answer key al kitaab fii Answer Key To Al-Kitaab Fii Ta'allum Al-'Arabiyya 2nd Edition. Al-Tonsi, Abbas, Al-Batal, Mahmoud, Brustad, Kristen. ISBN 13: 9781589010376. Seller: HPB-Ruby Answer Key to Al-Kitaab fii Ta'allum al-' ... This revised and updated answer key accompanies both DVD and textbook exercises in Al-Kitaab fii Ta callum al cArabiyya with DVDs, Part Two, Second Edition. Answer Key To Al-Kitaab Fii Ta'allum Al-'Arabiyya 2nd ... Publisher Georgetown University Press ; Publication Date 2004-09-30 ; Section Ref / Foreign Lang Dict / Phrase ; Type New ; Format Paperback