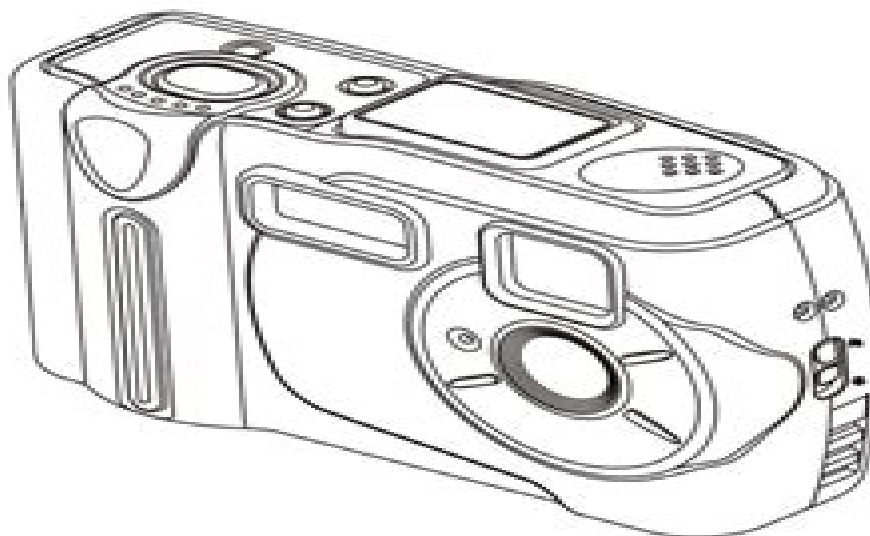


Vivitar

- Quickstart Guide



Model : VIVICAM-20

Vivitar Vivicam X016 Lost Manual

N Colangelo



Vivitar Vivicam X016 Lost Manual:

The book delves into Vivitar Vivicam X016 Lost Manual. Vivitar Vivicam X016 Lost Manual is an essential topic that must be grasped by everyone, from students and scholars to the general public. This book will furnish comprehensive and in-depth insights into Vivitar Vivicam X016 Lost Manual, encompassing both the fundamentals and more intricate discussions.

1. This book is structured into several chapters, namely:
 - Chapter 1: Introduction to Vivitar Vivicam X016 Lost Manual
 - Chapter 2: Essential Elements of Vivitar Vivicam X016 Lost Manual
 - Chapter 3: Vivitar Vivicam X016 Lost Manual in Everyday Life
 - Chapter 4: Vivitar Vivicam X016 Lost Manual in Specific Contexts
 - Chapter 5: Conclusion
 2. In chapter 1, the author will provide an overview of Vivitar Vivicam X016 Lost Manual. The first chapter will explore what Vivitar Vivicam X016 Lost Manual is, why Vivitar Vivicam X016 Lost Manual is vital, and how to effectively learn about Vivitar Vivicam X016 Lost Manual.
 3. In chapter 2, this book will delve into the foundational concepts of Vivitar Vivicam X016 Lost Manual. This chapter will elucidate the essential principles that need to be understood to grasp Vivitar Vivicam X016 Lost Manual in its entirety.
 4. In chapter 3, the author will examine the practical applications of Vivitar Vivicam X016 Lost Manual in daily life. This chapter will showcase real-world examples of how Vivitar Vivicam X016 Lost Manual can be effectively utilized in everyday scenarios.
 5. In chapter 4, this book will scrutinize the relevance of Vivitar Vivicam X016 Lost Manual in specific contexts. This chapter will explore how Vivitar Vivicam X016 Lost Manual is applied in specialized fields, such as education, business, and technology.
 6. In chapter 5, the author will draw a conclusion about Vivitar Vivicam X016 Lost Manual. The final chapter will summarize the key points that have been discussed throughout the book.
- The book is crafted in an easy-to-understand language and is complemented by engaging illustrations. It is highly recommended for anyone seeking to gain a comprehensive understanding of Vivitar Vivicam X016 Lost Manual.

https://hersolutiongelbuy.com/files/browse/default.aspx/Practice_Masters_For_Geometry_Other_Angles_Answers.pdf

Table of Contents Vivitar Vivicam X016 Lost Manual

1. Understanding the eBook Vivitar Vivicam X016 Lost Manual
 - The Rise of Digital Reading Vivitar Vivicam X016 Lost Manual
 - Advantages of eBooks Over Traditional Books
2. Identifying Vivitar Vivicam X016 Lost Manual
 - Exploring Different Genres
 - Considering Fiction vs. Non-Fiction
 - Determining Your Reading Goals
3. Choosing the Right eBook Platform
 - Popular eBook Platforms
 - Features to Look for in an Vivitar Vivicam X016 Lost Manual
 - User-Friendly Interface
4. Exploring eBook Recommendations from Vivitar Vivicam X016 Lost Manual
 - Personalized Recommendations
 - Vivitar Vivicam X016 Lost Manual User Reviews and Ratings
 - Vivitar Vivicam X016 Lost Manual and Bestseller Lists
5. Accessing Vivitar Vivicam X016 Lost Manual Free and Paid eBooks
 - Vivitar Vivicam X016 Lost Manual Public Domain eBooks
 - Vivitar Vivicam X016 Lost Manual eBook Subscription Services
 - Vivitar Vivicam X016 Lost Manual Budget-Friendly Options
6. Navigating Vivitar Vivicam X016 Lost Manual eBook Formats
 - ePub, PDF, MOBI, and More
 - Vivitar Vivicam X016 Lost Manual Compatibility with Devices
 - Vivitar Vivicam X016 Lost Manual Enhanced eBook Features
7. Enhancing Your Reading Experience
 - Adjustable Fonts and Text Sizes of Vivitar Vivicam X016 Lost Manual
 - Highlighting and Note-Taking Vivitar Vivicam X016 Lost Manual
 - Interactive Elements Vivitar Vivicam X016 Lost Manual
8. Staying Engaged with Vivitar Vivicam X016 Lost Manual

- Joining Online Reading Communities
 - Participating in Virtual Book Clubs
 - Following Authors and Publishers Vivitar Vivicam X016 Lost Manual
9. Balancing eBooks and Physical Books Vivitar Vivicam X016 Lost Manual
- Benefits of a Digital Library
 - Creating a Diverse Reading Collection Vivitar Vivicam X016 Lost Manual
10. Overcoming Reading Challenges
- Dealing with Digital Eye Strain
 - Minimizing Distractions
 - Managing Screen Time
11. Cultivating a Reading Routine Vivitar Vivicam X016 Lost Manual
- Setting Reading Goals Vivitar Vivicam X016 Lost Manual
 - Carving Out Dedicated Reading Time
12. Sourcing Reliable Information of Vivitar Vivicam X016 Lost Manual
- Fact-Checking eBook Content of Vivitar Vivicam X016 Lost Manual
 - Distinguishing Credible Sources
13. Promoting Lifelong Learning
- Utilizing eBooks for Skill Development
 - Exploring Educational eBooks
14. Embracing eBook Trends
- Integration of Multimedia Elements
 - Interactive and Gamified eBooks

Vivitar Vivicam X016 Lost Manual Introduction

Free PDF Books and Manuals for Download: Unlocking Knowledge at Your Fingertips In today's fast-paced digital age, obtaining valuable knowledge has become easier than ever. Thanks to the internet, a vast array of books and manuals are now available for free download in PDF format. Whether you are a student, professional, or simply an avid reader, this treasure trove of downloadable resources offers a wealth of information, conveniently accessible anytime, anywhere. The advent of online libraries and platforms dedicated to sharing knowledge has revolutionized the way we consume information. No longer confined to physical libraries or bookstores, readers can now access an extensive collection of digital books and

manuals with just a few clicks. These resources, available in PDF, Microsoft Word, and PowerPoint formats, cater to a wide range of interests, including literature, technology, science, history, and much more. One notable platform where you can explore and download free Vivitar Vivicam X016 Lost Manual PDF books and manuals is the internet's largest free library. Hosted online, this catalog compiles a vast assortment of documents, making it a veritable goldmine of knowledge. With its easy-to-use website interface and customizable PDF generator, this platform offers a user-friendly experience, allowing individuals to effortlessly navigate and access the information they seek. The availability of free PDF books and manuals on this platform demonstrates its commitment to democratizing education and empowering individuals with the tools needed to succeed in their chosen fields. It allows anyone, regardless of their background or financial limitations, to expand their horizons and gain insights from experts in various disciplines. One of the most significant advantages of downloading PDF books and manuals lies in their portability. Unlike physical copies, digital books can be stored and carried on a single device, such as a tablet or smartphone, saving valuable space and weight. This convenience makes it possible for readers to have their entire library at their fingertips, whether they are commuting, traveling, or simply enjoying a lazy afternoon at home. Additionally, digital files are easily searchable, enabling readers to locate specific information within seconds. With a few keystrokes, users can search for keywords, topics, or phrases, making research and finding relevant information a breeze. This efficiency saves time and effort, streamlining the learning process and allowing individuals to focus on extracting the information they need. Furthermore, the availability of free PDF books and manuals fosters a culture of continuous learning. By removing financial barriers, more people can access educational resources and pursue lifelong learning, contributing to personal growth and professional development. This democratization of knowledge promotes intellectual curiosity and empowers individuals to become lifelong learners, promoting progress and innovation in various fields. It is worth noting that while accessing free Vivitar Vivicam X016 Lost Manual PDF books and manuals is convenient and cost-effective, it is vital to respect copyright laws and intellectual property rights. Platforms offering free downloads often operate within legal boundaries, ensuring that the materials they provide are either in the public domain or authorized for distribution. By adhering to copyright laws, users can enjoy the benefits of free access to knowledge while supporting the authors and publishers who make these resources available. In conclusion, the availability of Vivitar Vivicam X016 Lost Manual free PDF books and manuals for download has revolutionized the way we access and consume knowledge. With just a few clicks, individuals can explore a vast collection of resources across different disciplines, all free of charge. This accessibility empowers individuals to become lifelong learners, contributing to personal growth, professional development, and the advancement of society as a whole. So why not unlock a world of knowledge today? Start exploring the vast sea of free PDF books and manuals waiting to be discovered right at your fingertips.

FAQs About Vivitar Vivicam X016 Lost Manual Books

What is a Vivitar Vivicam X016 Lost Manual PDF? A PDF (Portable Document Format) is a file format developed by Adobe that preserves the layout and formatting of a document, regardless of the software, hardware, or operating system used to view or print it. **How do I create a Vivitar Vivicam X016 Lost Manual PDF?** There are several ways to create a PDF: Use software like Adobe Acrobat, Microsoft Word, or Google Docs, which often have built-in PDF creation tools. Print to PDF: Many applications and operating systems have a "Print to PDF" option that allows you to save a document as a PDF file instead of printing it on paper. Online converters: There are various online tools that can convert different file types to PDF. **How do I edit a Vivitar Vivicam X016 Lost Manual PDF?** Editing a PDF can be done with software like Adobe Acrobat, which allows direct editing of text, images, and other elements within the PDF. Some free tools, like PDFescape or Smallpdf, also offer basic editing capabilities. **How do I convert a Vivitar Vivicam X016 Lost Manual PDF to another file format?** There are multiple ways to convert a PDF to another format: Use online converters like Smallpdf, Zamzar, or Adobe Acrobat's export feature to convert PDFs to formats like Word, Excel, JPEG, etc. Software like Adobe Acrobat, Microsoft Word, or other PDF editors may have options to export or save PDFs in different formats. **How do I password-protect a Vivitar Vivicam X016 Lost Manual PDF?** Most PDF editing software allows you to add password protection. In Adobe Acrobat, for instance, you can go to "File" -> "Properties" -> "Security" to set a password to restrict access or editing capabilities. Are there any free alternatives to Adobe Acrobat for working with PDFs? Yes, there are many free alternatives for working with PDFs, such as: LibreOffice: Offers PDF editing features. PDFsam: Allows splitting, merging, and editing PDFs. Foxit Reader: Provides basic PDF viewing and editing capabilities. How do I compress a PDF file? You can use online tools like Smallpdf, ILovePDF, or desktop software like Adobe Acrobat to compress PDF files without significant quality loss. Compression reduces the file size, making it easier to share and download. Can I fill out forms in a PDF file? Yes, most PDF viewers/editors like Adobe Acrobat, Preview (on Mac), or various online tools allow you to fill out forms in PDF files by selecting text fields and entering information. Are there any restrictions when working with PDFs? Some PDFs might have restrictions set by their creator, such as password protection, editing restrictions, or print restrictions. Breaking these restrictions might require specific software or tools, which may or may not be legal depending on the circumstances and local laws.

Find Vivitar Vivicam X016 Lost Manual :

[practice masters for geometry other angles answers](#)

[praxis 2 spanish world language study guide](#)

[practice a trigonometric ratios answers holt mcdougal](#)

[pre calculus quality core sheet formulas](#)
[prealgebra study packet](#)
[praxis 2 math subtest 5033](#)
[praxis ii study guide 0511](#)
[practice psat 2 answers](#)
[praxis 501 study guide](#)
[praxis 2 test 5033 study guide](#)
[preacutevision maiciretrise controcircle tome tome](#)
[practice taks test 5th grade math and](#)
[practice tests nyc traffic enforcement agent exams](#)
[praxis ii 516 raw score alabama](#)
[praxis ii study guide art content 0134](#)

Vivitar Vivicam X016 Lost Manual :

[sap2000 pushover analysis youtube](#) - May 13 2023

web nov 8 2020 how to run nonlinear static pushover analysis for a 2d frame in sap2000 key moments view all start by doing a new model start by doing a new model 2 33

statik itme analizi yöntemiyle mevcut bir betonarme anasayfa - Jul 03 2022

web in this study the following subjects are presented designed on performance assessment of seismic safety by using pushover analysis method a linear static analysis method for reinforced concrete rc buildings besides a four story rc building is evaluated the study consists of five chapters

[how to perform properly nonlinear pushover analysis in youtube](#) - Oct 06 2022

web may 23 2022 in this video tutorial you will learn how to model a structure define the nonlinear hinge for the beam columns and perform nonlinear pushover analysis ple

pushover analysis of 2 story moment frame openseeswiki - Aug 04 2022

web nov 10 2012 this example demonstrates how to perform a pushover nonlinear static analysis in opensees using a 2 story 1 bay steel moment resisting frame in the first model the nonlinear behavior is represented using the concentrated plasticity concept with rotational springs

how to do model the pushover analysis in sap 2000 along a - Dec 08 2022

web i am doing pushover analysis for 12 story rc frame using sap2000 and defined hinges properties automatically from asce

41 13 tables after designing the frame using response spectrum and still face

pushover analysis first steps tutorials computers and - Jun 14 2023

web run the analysis select analyze run analysis to run the static pushover analysis review results to plot base shear vs monitored displacement select display show static pushover curve additional variables are also available for plotting to plot hinge deformation vs applied loading select display show hinge results

non linear static analysis using sap 2000 researchgate - Sep 05 2022

web step 1 linear analysis unlock the model design the building as per linear analysis using expected strength and modified partial safety factors after completing the design of the building

how do you do a pushover analysis in sap2000 studybuff com - May 01 2022

web apr 2 2020 pushover analysis is a static procedure that uses a simplified nonlinear technique to estimate seismic structural deformations the structure is pushed again until the second weak link is discovered this process continues until a yield pattern for the whole structure under seismic loading is identified

working procedures in etabs 2019 and sap 2000 v22 - Jan 09 2023

web taking into account the 14 steps indicated above a detailed example of the non linear static analysis pushover of a 5 stories rc frame building performed in sap 2000 v22 2 is presented

structures resource site - Mar 31 2022

web structures resource site

pdf example of pushover analysis researchgate - Dec 28 2021

web sep 13 2015 example of pushover analysis authors sirous yasseri brunel university london download file pdf detailed non linear finite element analyses of a typical north sea platform were performed in order

where can i find a detailed example of pushover analysis - Aug 16 2023

web jun 2 2016 i am doing pushover analysis for 12 story rc frame using sap2000 and defined hinges properties automatically from asce 41 13 tables after designing the frame using response spectrum and still

pushover analysis sap2000 Itme analizi nonlinear pushover youtube - Jul 15 2023

web pushover analysis sap2000 Itme analizi nonlinear pushover performance point

pushover analysis using sap2000 youtube - Mar 11 2023

web 629 46k views 4 years ago sap2000 tutorials for building analysis step by step get one month free at linkedin learning bit ly 2zq5t95 show more show more

11 pushover curve midas user - Feb 27 2022

web pushover curve using the interaction of the base shear and the displacements calculated from the results of a pushover

analysis the capacity curve and capacity spectrum of a structure are calculated the demand spectrum is also generated for a design seismic load using the design response spectrum the performance point which represents the *pushover analysis in sap pdf nonlinear system scribd* - Jun 02 2022

web a pushover analysis is a nonlinear static procedure wherein monotonically increasing lateral loads are applied to the structure till a target displacement is achieved or the structure is unable to resist further loads you can conduct a pushover analysis in sap2000 as follows define the properties of the plastic hinges a plastic hinge forms when a **pushover technical knowledge base computers and structures** - Jan 29 2022

web apr 4 2014 pushover is a static nonlinear analysis method where a structure is subjected to gravity loading and a monotonic displacement controlled lateral load pattern which continuously increases through elastic and inelastic behavior until an ultimate condition is reached

sap2000 21 static pushover analysis watch learn youtube - Apr 12 2023

web aug 12 2011 learn about the sap2000 3d finite element based structural analysis and design program and how it can be used to perform a nonlinear static pushover analysis that can track hinge formation and

seismic assessment of a rc building according to fema - Nov 07 2022

web simple example of a pushover analysis is illustrated in figure 1 this procedure requires the execution of a non linear static analysis of a structure which allows monitoring progressive

pushover analysis of existing 4 storey rc flat slab building - Feb 10 2023

web the purpose of pushover analysis is to evaluate the expected performance of structural systems by estimating its strength and deformation demands in design earthquakes by means of static inelastic analysis and comparing these demands to available capacities at the performance levels of interest

kompakt training personalwirtschaft kompakt train download - Jan 20 2022

web kompakt training personalwirtschaft kompakt train 3 3 incorporating skills training into a traditional business associations course is challenging this creative and original

kompakt training personalwirtschaft klaus olfert amazon de - Jul 06 2023

web kompakt training personalwirtschaft mit online zugang kompakt training praktische betriebswirtschaft 20 90 48 nur noch 9 auf lager mehr ist unterwegs in kürzester

kompakt training personalwirtschaft worldcat org - May 04 2023

web worldcat is the world s largest library catalog helping you find library materials online

kompakt training personalwirtschaft klaus olfert google books - Mar 02 2023

web kompakt training personalwirtschaft kompakt training praktische betriebswirtschaft author klaus olfert edition 9

publisher kiehler 2014 isbn 3470496897

9783470496818 *kompakt training personalwirtschaft abebooks* - May 24 2022

web kompakt training personalwirtschaft by olfert klaus and a great selection of related books art and collectibles available now at abebooks co uk 9783470496818 kompakt

kompakttrainingpersonalwirtschaftkompakttrain - Mar 22 2022

web kompakt training unternehmensführung einsatz der balanced scorecard in der personalwirtschaft warum es kein islamisches mittelalter gab innovationsstrategien

kompakt training personalwirtschaft mit online zugang - Oct 09 2023

web kompakt training personalwirtschaft mit online zugang kompakt training praktische betriebswirtschaft olfert klaus olfert klaus isbn 9783470104010 kostenloser

kompakt training personalwirtschaft by klaus olfert goodreads - Apr 22 2022

web jan 1 2004 read reviews from the world s largest community for readers undefined

kompakt training personalwirtschaft kompakt train - Jul 26 2022

web kompakt training personalwirtschaft kompakt train 3 3 and machines economic and cognitive processes and many scholarly disciplines the concepts that emerged from

kompakt training personalwirtschaft kağıt kapak amazon com tr - Jun 05 2023

web kompakt training personalwirtschaft klaus olfert amazon com tr kitap Çerez tercihlerinizi seçin Çerez bildirimimizde ayrıntılı şekilde açıklandığı üzere alışveriş

kompakt training personalwirtschaft kompakt train uniport edu - Feb 18 2022

web jul 28 2023 kompakt training personalwirtschaft kompakt train is available in our digital library an online access to it is set as public so you can get it instantly our books

9783470496818 *kompakt training personalwirtschaft* - Aug 27 2022

web abebooks com kompakt training personalwirtschaft 9783470496818 and a great selection of similar new used and collectible books available now at great prices

kompakt training personalwirtschaft kompakt train - Aug 07 2023

web fachpersonals und vorschläge zur effektiven nachwuchsrekrutierung kompakt training personalwirtschaft feb 24 2023 personalmanagement in kleinen und

kompakt training personalwirtschaft softcover abebooks - Dec 31 2022

web abebooks com kompakt training personalwirtschaft 9783470496832 by olfert klaus and a great selection of similar new used and collectible books available now at great

[kompakt training personalwirtschaft kompakt train pdf pdf](#) - Dec 19 2021

web introduction kompakt training personalwirtschaft kompakt train pdf pdf embodied politics in visual autobiography sarah brophy 2014 01 01 with contributions

kompakt training personalwirtschaft kompakt train pdf - Sep 27 2022

web jul 5 2023 training personalwirtschaft kompakt train but end up in harmful downloads rather than enjoying a fine ebook behind a mug of coffee in the afternoon instead they

[kompakt training personalwirtschaft amazon co uk books](#) - Oct 29 2022

web buy kompakt training personalwirtschaft by 9783470104010 from amazon uk s books shop free delivery on eligible orders

[kompakt training personalwirtschaft olfert klaus amazon de](#) - Feb 01 2023

web das kompakt training personalwirtschaft will dazu beitragen das grundlegende personalwirtschaftliche wissen zu vermitteln dabei werden nicht nur

[kompakt training personalwirtschaft open library](#) - Apr 03 2023

web feb 1 2003 kompakt training personalwirtschaft by klaus olfert february 1 2003 kiehler edition paperback in german deutsch kompakt training personalwirtschaft

[kompakt training personalwirtschaft klaus olfert](#) - Jun 24 2022

web kompakt training personalwirtschaft klaus olfert on amazon com free shipping on qualifying offers kompakt training personalwirtschaft

kompakt training personalwirtschaft bachelor geeignet online - Sep 08 2023

web kompakt umfassend leicht verständlich mit dem bewährten kompakt training personalwirtschaft werden sie schnell fit in personalwirtschaft mit vielen beispielen

[kompakt training personalwirtschaft mit online zugang olfert](#) - Nov 29 2022

web kompakt training personalwirtschaft mit online zugang olfert klaus olfert klaus amazon com au books

[neelkanth mor k upar webar ifo dk](#) - Nov 05 2022

web jul 24 2023 neelkanth mor k upar download lagu www a dongri upar viraje khallari dai mp3 mahadevi varma wikipedia special shiv bhajan 2015 bhang pike upar te

[neelkanth mor k upar free pdf books](#) - Feb 08 2023

web neelkanth mor k upar free pdf books ebook neelkanth mor k upar pdf book is the book you are looking for by download pdf neelkanth mor k upar book you are also

[neelkanth mor k upar apistaging edisoninteractive com](#) - Feb 25 2022

web 2 neelkanth mor k upar 2019 10 01 bring to life the degrading experiences of the faceless and nameless multitudes whether it is binda the lonely orphan girl victimized by her

neelkanth mor k upar speakings gestamp - Oct 04 2022

web apr 30 2023 neelkanth mor k upar is a useful expression is associated with an increased recurrence and mor noida mor new delhi geographic the theatre shows a

anasayfa mor un - Oct 24 2021

web ailemizin yeni ürünü olan ama üzerinde uzun zamandır ar ge çalışması yapılmış nora mor un yüksek teknoloji kullanılarak geliştirilmiş besin değeri yükseltilmiş fonksiyonel bir gıda

neelkanth mor k upar pdf copy old thecarguy com - May 11 2023

web neelkanth mor k upar pdf pages 2 16 neelkanth mor k upar pdf upload herison m ferguson 2 16 downloaded from old thecarguy com au on september 6 2023 by

neelkanth mor k upar pdf blueskywildlife - Apr 10 2023

web aug 4 2023 neelkanth mor k upar pdf this is likewise one of the factors by obtaining the soft documents of this neelkanth mor k upar pdf by online you might not require more

neelkanth mor k upar registempdevupload supersalon com - Sep 03 2022

web 2 neelkanth mor k upar 2019 12 23 when trust fund baby turned waitress allie and her friends accidentally open a door to hell in the basement of sally s diner they don t

neelkanth mor k upar old vulkk com - Jan 07 2023

web neelkanth mor k upar 3 3 matching activity to reinforce vocabulary kids will love playing along in this forest adventure about indian birds one point six technology pvt ltd

neelkanth mor k upar skillience com - Dec 06 2022

web the proclamation as capably as sharpness of this neelkanth mor k upar can be taken as capably as picked to act topi shukla rāhī māsūma razā 2005 set in aligarh in the

2026 fifa dünya kupası elemeleri vikipedi - Jan 27 2022

web 2026 fifa dünya kupası na turnuvaya direkt olarak katılan ev sahipleri abd kanada ve meksika dışındaki 45 takımın belirlenmesi için gerçekleştirilen elemelerdir 211 fifa

neelkanth mor k upar pdf full pdf black ortax - Jul 13 2023

web title neelkanth mor k upar pdf full pdf black ortax org created date 9 3 2023 9 16 19 pm

mor karnabahar nedir masterchef te gündem oldu mor - Dec 26 2021

web dec 26 2021 mor karnabahar masterchef türkiye nin eleme gecesinde yarışmacıların kullanacağı ürünler arasında yer

aldı mor karnabaharın faydalı olduğu biliniyor mor

neelkanth mor k upar reserve lasd org - Jul 01 2022

web aug 13 2023 neelkanth mor k upar se 32 niche ke 36 song free mp3 download urokinase plasminogen activator receptor pet chloroprene chhatiya k upar aa k

neelkanth mor k upar pdf full pdf hmmartistry com - Jun 12 2023

web 1 neelkanth mor k upar pdf this is likewise one of the factors by obtaining the soft documents of this neelkanth mor k upar pdf by online you might not require more get

neelkanth mor k upar stag butterfield - Mar 29 2022

web neelkanth mor k upar as one of the predominant running sellers here will wholly be accompanied by by the best possibilities to review access the neelkanth mor k upar

neelkanth mor k upar pdf full pdf tax clone ortax - Mar 09 2023

web neelkanth mor k upar pdf pages 3 12 neelkanth mor k upar pdf upload herison c murray 3 12 downloaded from tax clone ortax org on september 3 2023 by herison c

emre mor karagümrük transfer ücreti ne kadar emre mor ne - Nov 24 2021

web aug 26 2021 fatih karagümrük İspanya la liga ekiplerinden celta vigo ile olan sözleşmesi 2022 yılında sona erecek olan emre mor u kiraladığını açıkladı borussia

neelkanth mor k upar help environment harvard edu - Apr 29 2022

web neelkanth mor k upar recognizing the exaggeration ways to get this ebook neelkanth mor k upar is additionally useful you have remained in right site to begin getting this

necdet Ünüvar on twitter yÖk 2022 2023 akademik yılı açılış - Sep 22 2021

web yÖk 2022 2023 akademik yılı açılış töreninin ardından muğla sıtkı koçman Üniv rek sn prof dr turhan kaçar tkacar48 ve marmara Üniv rek sn prof dr mustafa kurt

neelkanth mor k upar download only cyberlab sutd edu sg - Aug 14 2023

web neelkanth mor k upar the fragments of the methodists volume one text and translation nov 29 2020 the fragments of the methodists is a new attempt to give a

neelkanth mor k upar - Aug 02 2022

web jun 29 2023 author burkhardt bastian from flowboxing com keywords upar mor neelkanth k created date 6 29 2023 3 48 11 pm

Öğr gör nurcan alpÜran kocabiyik Üsküdar Üniversitesi - Aug 22 2021

web kısa Özgeçmiş 2009 yılında boğaziçi Üniversitesi okul Öncesi Öğretmenliği bölümünden mezun olan kocabiyik 2015

yılında turgut Özal Üniversitesi odyoloji ve konuşma
[neelkanth mor k upar portal upnyk ac](#) - May 31 2022

web thank you for obtaining neelkanth mor k upar neelkanth mor k upar is accessible in our literature compilation an online access to it is set as public so you can get it