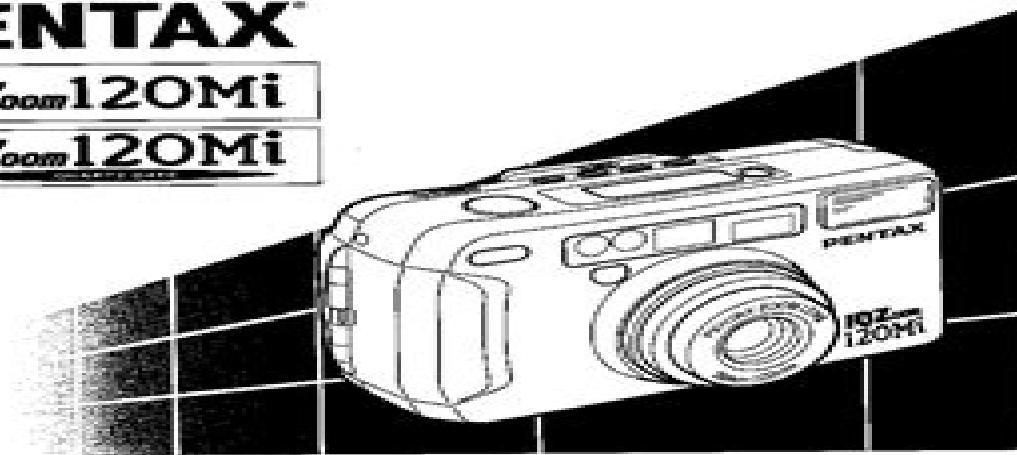


PENTAX

***IQZ_{zoom}* 120Mi**

***IQZ_{zoom}* 120Mi**



GETUSERMANUAL.RU

Pentax Kr User Manual

Xiang Xie



Pentax Kr User Manual:

Illustrated Guide to Home Forensic Science Experiments Robert Bruce Thompson, Barbara Fritchman Thompson, 2012-08-07 Have you ever wondered whether the forensic science you've seen on TV is anything like the real thing? There's no better way to find out than to roll up your sleeves and do it yourself. This full-color book offers advice for setting up an inexpensive home lab and includes more than 50 hands-on lab sessions that deal with forensic science experiments in biology, chemistry, and physics. You'll learn the practical skills and fundamental knowledge needed to pursue forensics as a lifelong hobby or even a career. The forensic science procedures in this book are not merely educational; they're the real deal. Each chapter includes one or more lab sessions devoted to a particular topic. You'll find a complete list of equipment and chemicals you need for each session. Analyze soil, hair, and fibers. Match glass and plastic specimens. Develop latent fingerprints and reveal blood traces. Conduct drug and toxicology tests. Analyze gunshot and explosives residues. Detect forgeries and fakes. Analyze impressions such as tool marks and footprints. Match pollen and diatom samples. Extract, isolate, and visualize DNA samples. Through their company, The Home Scientist LLC, thehomescientist.com, the authors also offer inexpensive custom kits that provide specialized equipment and supplies you'll need to complete the experiments. Add a microscope and some common household items, and you're good to go.

Popular Photography, 1994-02 Popular Photography, 1995-02 *Popular Photography*, 1995-09 **Popular Photography**, 1991-01 *Popular Photography*, 1995-11 **Popular Photography**, 1982-10 Popular Photography, 1991-01 **Popular Photography**, 1983-04 **Popular Photography**, 1992-02 Popular Photography, 1995-07 *Popular Photography*, 1982-05 **Consumers Index to Product Evaluations and Information Sources**, 1992 **Popular Photography**, 1983-07 **Popular Photography**, 1995-07 **Popular Photography**, 1988-01 *Popular Photography*, 1982-12 *Popular Photography*, 2005-09 **Popular Photography**, 1983-06 **Popular Photography**, 1984-05

Getting the books **Pentax Kr User Manual** now is not type of challenging means. You could not only going taking into account ebook collection or library or borrowing from your associates to log on them. This is an extremely easy means to specifically acquire lead by on-line. This online message Pentax Kr User Manual can be one of the options to accompany you when having new time.

It will not waste your time. take on me, the e-book will totally heavens you supplementary event to read. Just invest little grow old to retrieve this on-line declaration **Pentax Kr User Manual** as competently as review them wherever you are now.

<https://hersolutiongelbuy.com/About/book-search/fetch.php/staar%20chemistry%20answer%20key%202014.pdf>

Table of Contents Pentax Kr User Manual

1. Understanding the eBook Pentax Kr User Manual
 - The Rise of Digital Reading Pentax Kr User Manual
 - Advantages of eBooks Over Traditional Books
2. Identifying Pentax Kr User Manual
 - Exploring Different Genres
 - Considering Fiction vs. Non-Fiction
 - Determining Your Reading Goals
3. Choosing the Right eBook Platform
 - Popular eBook Platforms
 - Features to Look for in an Pentax Kr User Manual
 - User-Friendly Interface
4. Exploring eBook Recommendations from Pentax Kr User Manual
 - Personalized Recommendations
 - Pentax Kr User Manual User Reviews and Ratings
 - Pentax Kr User Manual and Bestseller Lists
5. Accessing Pentax Kr User Manual Free and Paid eBooks

- Pentax Kr User Manual Public Domain eBooks
 - Pentax Kr User Manual eBook Subscription Services
 - Pentax Kr User Manual Budget-Friendly Options
6. Navigating Pentax Kr User Manual eBook Formats
- ePub, PDF, MOBI, and More
 - Pentax Kr User Manual Compatibility with Devices
 - Pentax Kr User Manual Enhanced eBook Features
7. Enhancing Your Reading Experience
- Adjustable Fonts and Text Sizes of Pentax Kr User Manual
 - Highlighting and Note-Taking Pentax Kr User Manual
 - Interactive Elements Pentax Kr User Manual
8. Staying Engaged with Pentax Kr User Manual
- Joining Online Reading Communities
 - Participating in Virtual Book Clubs
 - Following Authors and Publishers Pentax Kr User Manual
9. Balancing eBooks and Physical Books Pentax Kr User Manual
- Benefits of a Digital Library
 - Creating a Diverse Reading Collection Pentax Kr User Manual
10. Overcoming Reading Challenges
- Dealing with Digital Eye Strain
 - Minimizing Distractions
 - Managing Screen Time
11. Cultivating a Reading Routine Pentax Kr User Manual
- Setting Reading Goals Pentax Kr User Manual
 - Carving Out Dedicated Reading Time
12. Sourcing Reliable Information of Pentax Kr User Manual
- Fact-Checking eBook Content of Pentax Kr User Manual
 - Distinguishing Credible Sources
13. Promoting Lifelong Learning
- Utilizing eBooks for Skill Development

- Exploring Educational eBooks
14. Embracing eBook Trends
- Integration of Multimedia Elements
 - Interactive and Gamified eBooks

Pentax Kr User Manual Introduction

In the digital age, access to information has become easier than ever before. The ability to download Pentax Kr User Manual has revolutionized the way we consume written content. Whether you are a student looking for course material, an avid reader searching for your next favorite book, or a professional seeking research papers, the option to download Pentax Kr User Manual has opened up a world of possibilities. Downloading Pentax Kr User Manual provides numerous advantages over physical copies of books and documents. Firstly, it is incredibly convenient. Gone are the days of carrying around heavy textbooks or bulky folders filled with papers. With the click of a button, you can gain immediate access to valuable resources on any device. This convenience allows for efficient studying, researching, and reading on the go. Moreover, the cost-effective nature of downloading Pentax Kr User Manual has democratized knowledge. Traditional books and academic journals can be expensive, making it difficult for individuals with limited financial resources to access information. By offering free PDF downloads, publishers and authors are enabling a wider audience to benefit from their work. This inclusivity promotes equal opportunities for learning and personal growth. There are numerous websites and platforms where individuals can download Pentax Kr User Manual. These websites range from academic databases offering research papers and journals to online libraries with an expansive collection of books from various genres. Many authors and publishers also upload their work to specific websites, granting readers access to their content without any charge. These platforms not only provide access to existing literature but also serve as an excellent platform for undiscovered authors to share their work with the world. However, it is essential to be cautious while downloading Pentax Kr User Manual. Some websites may offer pirated or illegally obtained copies of copyrighted material. Engaging in such activities not only violates copyright laws but also undermines the efforts of authors, publishers, and researchers. To ensure ethical downloading, it is advisable to utilize reputable websites that prioritize the legal distribution of content. When downloading Pentax Kr User Manual, users should also consider the potential security risks associated with online platforms. Malicious actors may exploit vulnerabilities in unprotected websites to distribute malware or steal personal information. To protect themselves, individuals should ensure their devices have reliable antivirus software installed and validate the legitimacy of the websites they are downloading from. In conclusion, the ability to download Pentax Kr User Manual has transformed the way we access information. With the convenience, cost-effectiveness, and accessibility it offers, free PDF downloads have become a popular

choice for students, researchers, and book lovers worldwide. However, it is crucial to engage in ethical downloading practices and prioritize personal security when utilizing online platforms. By doing so, individuals can make the most of the vast array of free PDF resources available and embark on a journey of continuous learning and intellectual growth.

FAQs About Pentax Kr User Manual Books

How do I know which eBook platform is the best for me? Finding the best eBook platform depends on your reading preferences and device compatibility. Research different platforms, read user reviews, and explore their features before making a choice. Are free eBooks of good quality? Yes, many reputable platforms offer high-quality free eBooks, including classics and public domain works. However, make sure to verify the source to ensure the eBook credibility. Can I read eBooks without an eReader? Absolutely! Most eBook platforms offer webbased readers or mobile apps that allow you to read eBooks on your computer, tablet, or smartphone. How do I avoid digital eye strain while reading eBooks? To prevent digital eye strain, take regular breaks, adjust the font size and background color, and ensure proper lighting while reading eBooks. What the advantage of interactive eBooks? Interactive eBooks incorporate multimedia elements, quizzes, and activities, enhancing the reader engagement and providing a more immersive learning experience. Pentax Kr User Manual is one of the best book in our library for free trial. We provide copy of Pentax Kr User Manual in digital format, so the resources that you find are reliable. There are also many Ebooks of related with Pentax Kr User Manual. Where to download Pentax Kr User Manual online for free? Are you looking for Pentax Kr User Manual PDF? This is definitely going to save you time and cash in something you should think about. If you trying to find then search around for online. Without a doubt there are numerous these available and many of them have the freedom. However without doubt you receive whatever you purchase. An alternate way to get ideas is always to check another Pentax Kr User Manual. This method for see exactly what may be included and adopt these ideas to your book. This site will almost certainly help you save time and effort, money and stress. If you are looking for free books then you really should consider finding to assist you try this. Several of Pentax Kr User Manual are for sale to free while some are payable. If you arent sure if the books you would like to download works with for usage along with your computer, it is possible to download free trials. The free guides make it easy for someone to free access online library for download books to your device. You can get free download on free trial for lots of books categories. Our library is the biggest of these that have literally hundreds of thousands of different products categories represented. You will also see that there are specific sites catered to different product types or categories, brands or niches related with Pentax Kr User Manual. So depending on what exactly you are searching, you will be able to choose e books to suit your own need. Need to access completely for Campbell Biology Seventh Edition book? Access Ebook without any digging. And by having access to

our ebook online or by storing it on your computer, you have convenient answers with Pentax Kr User Manual To get started finding Pentax Kr User Manual, you are right to find our website which has a comprehensive collection of books online. Our library is the biggest of these that have literally hundreds of thousands of different products represented. You will also see that there are specific sites catered to different categories or niches related with Pentax Kr User Manual So depending on what exactly you are searching, you will be able to choose ebook to suit your own need. Thank you for reading Pentax Kr User Manual. Maybe you have knowledge that, people have search numerous times for their favorite readings like this Pentax Kr User Manual, but end up in harmful downloads. Rather than reading a good book with a cup of coffee in the afternoon, instead they juggled with some harmful bugs inside their laptop. Pentax Kr User Manual is available in our book collection and online access to it is set as public so you can download it instantly. Our digital library spans in multiple locations, allowing you to get the most less latency time to download any of our books like this one. Merely said, Pentax Kr User Manual is universally compatible with any devices to read.

Find Pentax Kr User Manual :

staar chemistry answer key 2014

st ambrose barlow spelling booklets year 3

ssc-exam-question-paper-12th-base

ssangyong rodius stavic service repair workshop manual 2004 onwards

ssc question dhaka board 2014

staarmaster r5-5 layout 2-ecs learning systems

stabilizer 220v 4 relay circuit diagram

ss2-second-term-biology-question

ssc model test exam paper25

srs document for railway reservation system

staar science vocabulary 5th grade

sss1 scheme of work 4 chemistry 2015 16

staar test 2014 answers

staar test algebra 1 2014 answer

ssc question papers 23

Pentax Kr User Manual :

[quien ha hecho caca y muchas preguntas mas castel](#) - Jan 27 2022

web jul 29 2023 [quien ha hecho caca y muchas preguntas mas castel 2 8](#) downloaded from uniport edu ng on july 29 2023 by guest otra vez acabar con su vida para evitarlo raisa sólo podrá confiar en su ingenio y en su voluntad de hierro diario de las sesiones de cortes congreso de los diputados spain cortes congreso de los diputados 1866

quien ha hecho caca y muchas preguntas mas castel full pdf - Sep 22 2021

quién ha hecho caca y muchas preguntas más - Mar 09 2023

web [quien ha hecho caca y muchas preguntas mas castel](#) [quien ha hecho caca y muchas preguntas mas castel 3](#) downloaded from donate pfi org on 2021 01 06 by guest together with the arrogant yet charming thomas cresswell she journeys to the dark heart of romania home to one of europe s best schools of forensic medicine and to

[quien ha hecho caca y muchas preguntas mas castel copy](#) - Aug 02 2022

web apr 22 2023 [quien ha hecho caca y muchas preguntas mas castel](#) is universally compatible similar to any devices to read el fin de una era aida de las heras el fin jose luis ballesteros 2012 06 01 que relación podrá existir entre un gobierno corrupto un grupo de rebeldes guerrilleros en busca de libertad un enorme ejercito de vampiros en

[quien ha hecho caca y muchas preguntas mas castel](#) - Nov 24 2021

web may 29 2023 [quien ha hecho caca y muchas preguntas mas castel 1 8](#) downloaded from uniport edu ng on may 29 2023 by guest [quien ha hecho caca y muchas preguntas mas castel](#) when somebody should go to the ebook stores search instigation by shop shelf by shelf it is in reality problematic this is why we present the ebook

quien ha hecho caca y muchas preguntas mas castel - Jul 01 2022

web mar 29 2021 pasea a doggie doo y si hace caca recógelo jennifer elena quetzal rodriguez a k a jennifer elena quetzal rodriguez a k a jennifer elena quetzal jenny quetzal es la antagonista principal de la serie original mexicana de netflix la casa de las flores the house of flowers en español en la segunda temporada y una antiheroína

quien ha hecho caca y muchas preguntas mas castel - Dec 26 2021

web [quien ha hecho caca y muchas preguntas mas castel](#) [quién ha hecho caca](#) edited by j de buytrago puedo mirar tu pañal la caza del marido y otros escritos de humor portvs imperator biblia sagrada español sagradas escrituras revista europea la corónica la biblia que es los sacros libros del vieio y nvevo testamento

[quien ha hecho caca y muchas preguntas mas castel copy](#) - Nov 05 2022

web [quien ha hecho caca y muchas preguntas mas castel 2 9](#) downloaded from uniport edu ng on may 20 2023 by guest el club de los mejores arthur gunn 2016 09 06 thriller lleno de tensión y ritmo sobre los niños que fuimos y los adultos en

quienes nos hemos convertido una novela absolutamente adictiva que ha sido comparada con

quien ha hecho caca y muchas preguntas mas castel - Oct 24 2021

web 4 quien ha hecho caca y muchas preguntas mas castel 2020 08 23 univ de castilla la mancha becca una psicóloga mediática que sigue métodos poco ortodoxos y axel su guapísimo pero inescrutable cámara viven intensa y apasionadamente algo que es cualquier cosa menos una historia de amor convencional el diván de becca ha sido un por que le dicen el cacas actualizado agosto 2023 - May 31 2022

web caca en griego Κακά kaká mala o malvada era en la mitología romana la hija de vulcano y hermana del gigante caco originalmente fue una diosa del hogar pero más tarde fue relegada a un personaje secundario en una versión de los doce trabajos de hércules caca por simpatía le dijo a hércules dónde estaba la cueva de su hermano

quien ha hecho caca y muchas preguntas mas castel john e - Mar 29 2022

web el topo que quería saber quién se había hecho aquello en su cabeza la biblia que es los sacros libros del vieio y nuevo testamento la corónica quien ha hecho caca y muchas preguntas mas castel downloaded from ftp williamcurley co uk by guest bryce preston vida y hechos del ingenioso hidalgo don quixote de la mancha ediciones

quien ha hecho caca y muchas preguntas mas castel pdf - Oct 04 2022

web jul 10 2023 quien ha hecho caca y muchas preguntas mas castel 1 8 downloaded from uniport edu ng on july 10 2023 by guest quien ha hecho caca y muchas preguntas mas castel thank you definitely much for downloading quien ha hecho caca y muchas preguntas mas castel most likely you have knowledge that people have look

quien ha hecho caca y muchas preguntas mas castel pdf - Sep 03 2022

web quien ha hecho caca y muchas preguntas mas castel recognizing the habit ways to get this book quien ha hecho caca y muchas preguntas mas castel is additionally useful you have remained in right site to start getting this info get the quien ha hecho caca y muchas preguntas mas castel partner that we have the funds for here and check out

quien ha hecho caca y muchas preguntas mas castel shasta - May 11 2023

web we have the funds for quien ha hecho caca y muchas preguntas mas castel and numerous books collections from fictions to scientific research in any way along with them is this quien ha hecho caca y muchas preguntas mas castel that can be your partner el dedo de dios leyenda histórica en verso etc manuel castell 1866

caca mitología wikipedia la enciclopedia libre - Apr 29 2022

web quien ha hecho caca y muchas preguntas mas castel quien ha hecho caca y muchas preguntas mas castel 1 downloaded from old restorativejustice org on 2022 04 30 by guest quien ha hecho caca y muchas preguntas mas castel yeah reviewing a book quien ha hecho caca y muchas preguntas mas castel could increase your

quien ha hecho caca y muchas preguntas mas castel - Feb 08 2023

web quien ha hecho caca y muchas preguntas mas castel salud ele mental doze comedias de lope de vega carpio familiar del santo oficio sacadas de sus originales dirigidas a don bernabe de viuanco y velasco cauallero del abito de santiago de la camara de su magestad onzena parte a la caza de un libertino hermanas ramsbury 1

quien ha hecho caca y muchas preguntas mas castel 2022 - Feb 25 2022

web jul 15 2023 quien ha hecho caca y muchas preguntas mas castel 1 8 downloaded from uniport edu ng on july 15 2023 by guest quien ha hecho caca y muchas preguntas mas castel thank you very much for reading quien ha hecho caca y muchas preguntas mas castel maybe you have knowledge that people have look hundreds

quien ha hecho caca y muchas preguntas mas castel copy - Jun 12 2023

web quien ha hecho caca y muchas preguntas mas castel historia general de los hechos de los castellanos en las islas i tierra firme del mar oceano jun 20 2020 chronica del famoso cauallero cid ruydiez campeador jan 16 2020 detective de la caca feb 21 2023 perros detectives

quien ha hecho caca y muchas preguntas mas castel jordan - Aug 14 2023

web as keenness of this quien ha hecho caca y muchas preguntas mas castel can be taken as capably as picked to act the plague albert camus 1991 05 07 its relevance lashes you across the face stephen metcalf the los angeles times a redemptive book one that wills the reader to believe even in a time

quien ha hecho caca y muchas preguntas mas castel paulo - Jul 13 2023

web jan 18 2023 4730486 quien ha hecho caca y muchas preguntas mas castel 1 4 downloaded from robbinsmanuscripts berkeley edu on by guest if you ally dependence such a referred quien ha hecho caca y muchas preguntas mas castel ebook that will meet the expense of you worth get the no question best seller from us currently from

quién ha hecho caca y muchas preguntas más - Apr 10 2023

web quién ha hecho caca es una de las 15 preguntas que los niños deberán responder fijándose en los dibujos de este original álbum para divertirse ejercitando la atención la memoria y la comprensión de las imágenes emociones conceptos espaciales acciones capacidades muy importantes para futuros aprendizajes

quien ha hecho caca y muchas preguntas mas castel copy - Dec 06 2022

web quien ha hecho caca y muchas preguntas mas castel 3 3 le sucedió a axel en su pasado para comportarse de esa forma tan desagradable con ella además de este misterio se le suma la noticia bomba de carla y eli y la propuesta de los productores americanos para comprar los derechos del diván y llevar su

quien ha hecho caca y muchas preguntas mas castel full pdf - Jan 07 2023

web the notice quien ha hecho caca y muchas preguntas mas castel that you are looking for it will very squander the time however below as soon as you visit this web page it will be suitably extremely easy to get as competently as download lead

quien ha hecho caca y muchas preguntas mas castel it will not receive many epoch as we run by before

plagues and the paradox of progress why the world is getting - May 02 2023

web dec 26 2019 bollyky thomas j plagues and the paradox of progress why the world is getting healthier in worrisome ways cambridge ma the mit press 280 p 27 95

thomas j bollyky plagues and the paradox of progress why - Apr 01 2023

web mar 1 2019 in plagues and the paradox of progress thomas j bollyky traces the rise and fall of infectious disease in human history and the challenges and opportunities that

introduction plagues and the paradox of progresswhy the - Dec 29 2022

web plagues and parasites have played a central role in world affairs shaping the evolution of the modern state the growth of cities and the disparate fortunes of national economies

pdf plagues and the paradox of progress why the world is - Aug 25 2022

web plagues and the paradox of progress why the world is getting healthier in worrisome ways mit press bollyky thomas j amazon com tr kitap

plagues and the paradox of progress why the world is getting - Apr 20 2022

web plagues and the paradox of progress is a readable history of the rise and fall and worrisome threat of infectious diseases as well as the new health threat to developing

plagues and the paradox of progress why the world is getting - Jul 24 2022

web buy plagues and the paradox of progress why the world is getting healthier in worrisome ways the mit press 1 by bollyky thomas j isbn 9780262038454 from

plagues and the paradox of progress why the world is getting - Jul 04 2023

web oct 9 2018 why the news about the global decline of infectious diseases is not all good plagues and parasites have played a central role in world affairs shaping the

how the world starts getting better plagues and the paradox of - Nov 15 2021

plagues and the paradox of progress why the world - Jan 18 2022

plagues and the paradox of progress why the world is g - Nov 27 2022

web sep 20 2018 cfr senior fellow thomas j bollyky discusses his new book plagues and the paradox of progress why the world is getting healthier in worrisome ways

plagues and the paradox of progress why the world is getting - Mar 20 2022

web abebooks com plagues and the paradox of progress why the world is getting healthier in worrisome ways the mit press 9780262038454 by bollyky thomas j and a

plagues and the paradox of progress why the world is getting - May 22 2022

web plagues and the paradox of progress why the world is getting healthier in worrisome ways bollyky thomas j bollyky thomas j amazon com au books books

plagues and the paradox of progress why the world is getting - Sep 25 2022

web why the news about the global decline of infectious diseases is not all good plagues and parasites have played a central role in world affairs shaping the evolution of the modern

plagues and the paradox of progress council on - Sep 06 2023

web oct 9 2018 plagues and parasites have played a central role in world affairs shaping the evolution of the modern state the growth of cities and the disparate fortunes of national

plagues and the paradox of progress why the world is - Jun 03 2023

web dec 26 2019 thomas j bollyky plagues and the paradox of progress why the world is getting healthier in worrisome ways cambridge ma the mit press 280 p 27 95

plagues and the paradox of progress mit press - Oct 07 2023

web oct 1 2019 why the world is getting healthier in worrisome ways by thomas j bollyky 19 95 paperback hardcover ebook 280 pp 6 x 9 in 52 b w illus paperback 9780262537964 published october 1 2019

thomas j bollyky plagues and the paradox of progress why - Feb 28 2023

web 2018 introduction plagues and the paradox of progress why the world is getting healthier in worrisome ways thomas j bollyky download citation file ris zotero

plagues and the paradox of progress why the world is getting - Jun 22 2022

web oct 1 2019 plagues and the paradox of progress why the world is getting healthier in worrisome ways by thomas j bollyky write a review paperback reprint 19 95

plagues and the paradox of progress why the world is getting - Oct 27 2022

web oct 9 2018 why the news about the global decline of infectious diseases is not all good plagues and parasites have played a central role in world affairs shaping the

teaching notes plagues and the paradox of progress - Jan 30 2023

web oct 9 2018 4 06 211 ratings25 reviews why the news about the global decline of infectious diseases is not all good plagues and parasites have played a central role in

plagues and the paradox of progress why the world is getting - Feb 16 2022

web plagues and the paradox of progress why the world is getting healthier in worrisome ways by how the world starts getting better plagues and the paradox of

plagues and the paradox of progress why the world is - Dec 17 2021

plagues and the paradox of progress why the world is getting - Aug 05 2023

web why the news about the global decline of infectious diseases is not all good plagues and parasites have played a central role in world affairs shaping the evolution of the modern

entrance question of pulchowk engineering for free pdf - Apr 05 2022

apr 19 2023 entrance question of pulchowk engineering for free is available in our digital library an online access to it is set as public so you can download it instantly

ioe entrance questions bank pdf latest updated easy - Sep 22 2023

jul 1 2023 pulchowk engineering college entrance model questions are ioe entrance question bank pdf students can practice these entrance model questions before their entrance exams at ioe ioe has prepared some model question sets for ioe preparing students those model sets are included in this post

[entrance question of pulchowk engineering thebookee net](#) - Nov 12 2022

free pdf ebooks user s guide manuals sheets about entrance question of pulchowk engineering ready for download

bachelor pulchowk campus - Dec 13 2022

in each academic year institute of engineering ioe conducts entrance examination only those candidate who passes the entrance examination are deemed eligible for the admission these eligible candidates can get admitted to any of the constituent and affiliated colleges according to the admission process followed by the corresponding college

pulchowk engineering college tour youtube - Jan 14 2023

dec 24 2020 ioe entrance syllabus entrancehouse com syllabusioe mock test entrancehouse com home

entrance question of pulchowk engineering for free copy - Sep 10 2022

entrance question of pulchowk engineering for free entrance question of pulchowk engineering for free 2 downloaded from waptac org on 2020 02 10 by guest investigation analysis and design case studies and a road map for the future in four successive parts each part is self sufficient yet linked to its predecessor successor or both as

quora a place to share knowledge and better understand the - Mar 16 2023

we would like to show you a description here but the site won t allow us

[mcqs quiz to practice pulchowk engineering college](#) - Aug 21 2023

may 28 2021 mcqs quiz to practice pulchowk engineering college entrance question these are the questions which will help

you to crack ioe pulchowk engineering questions until you are not able to answer these all in your own power you
[quora](#) - Oct 11 2022

we would like to show you a description here but the site won't allow us

[pulchowk campus institute of engineering tribhuvan university](#) - Jul 08 2022

be admission portal msc admission portal under tribhuvan university there are various faculties and institutes the institute of engineering is one of the institutes of tribhuvan university under the institute of engineering there are four constituent campuses and ten private colleges

[be pulchowk engineering entrance exam ioe youtube](#) - Mar 04 2022

mcqs of physics be pulchowk engineering entrance exam ioe pea mentors nepal youtube prepare for engineering entrance examination be from your home at your ease enroll

practice questions of english for be pulchowk engineering - Jul 20 2023

prepare for engineering entrance examination be from your home at your ease enroll into pea mentors today and start right away about pea mentors pea me

[entrance questions for pulchowk engineering](#) - May 06 2022

right here we have countless book entrance questions for pulchowk engineering and collections to check out we additionally allow variant types and afterward type of the books to browse

[entrance question of pulchowk engineering pdf uniport edu](#) - Aug 09 2022

jun 7 2023 entrance question of pulchowk engineering 1 10 downloaded from uniport edu ng on june 7 2023 by guest

entrance question of pulchowk engineering this is likewise one of the factors by obtaining the soft documents of this entrance question of pulchowk engineering by online you might not require more

entrance question of pulchowk engineering for free pdf - Apr 17 2023

jun 15 2023 entrance question of pulchowk engineering for free 1 8 downloaded from uniport edu ng on june 15 2023 by guest entrance question of pulchowk engineering for free this is likewise one of the factors by obtaining the soft documents of this entrance question of pulchowk engineering for free by online

pulchowk engineering entrance preparation chapterwise mcqs - May 18 2023

share your videos with friends family and the world

[ioe entrance exam 2023 2080 syllabus 9 best model question](#) - Jun 19 2023

last updated oct 7 2023 if you wish to be an engineer after your neb class 12 result we have listed the best place for the ioe entrance exam preparation for engineering engineering is a degree that many youths dream of getting enrolled in nepal

entrance question of pulchowk engineering for free pdf - Jun 07 2022

may 20 2023 entrance question of pulchowk engineering for free below fox and mcdonald s introduction to fluid mechanics
robert w fox 2020 06 30 through ten editions fox and mcdonald s introduction to fluid mechanics has helped students
understand the physical concepts basic principles and analysis methods of fluid mechanics

entrance question of pulchowk engineering for free pdf full - Feb 15 2023

mar 27 2023 entrance question of pulchowk engineering for free pdf and numerous ebook collections from fictions to
scientific research in any way in the midst of them is this entrance question of pulchowk engineering for free pdf that can be
your partner principles of engineering economy eugene lodewick grant 1982 the eighth edition of the standard

entrance question of pulchowk engineering for free - Feb 03 2022

mar 4 2023 central questions of the book are what are some of the local and global academic interactions in nepalese
higher education and what are the current challenges and pathways for advancements and improvements