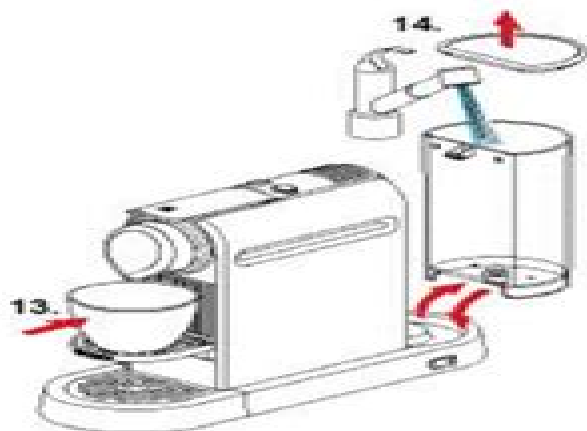


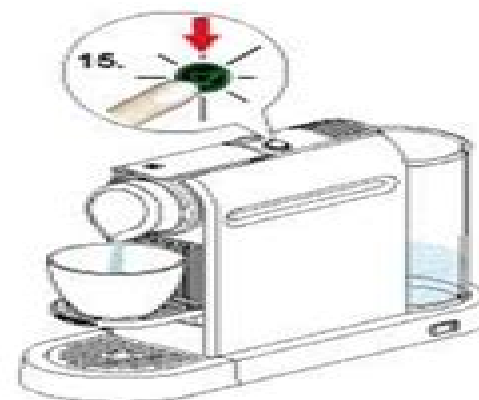


Danger of injury!
Residual descaler
may be harmful.
Rinse thoroughly to
remove any residue.

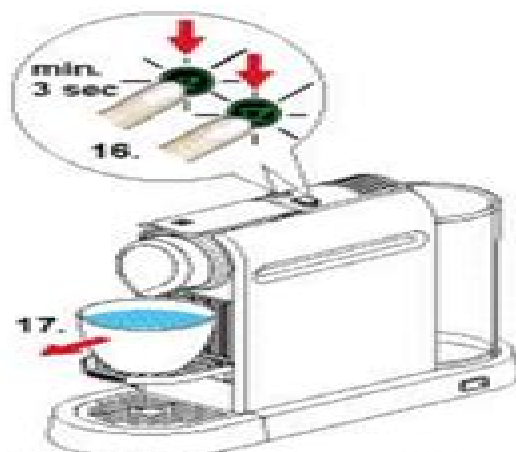
MAINTENANCE



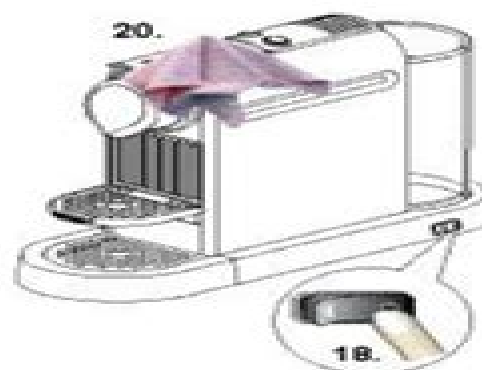
- 13) Empty container and put it back on cup support.
14) Rinse and clean water tank thoroughly and fill it with fresh potable water.



- 15) Rinse coffee machine by pressing any button and wait until water tank is empty.



- 16) Press both coffee buttons simultaneously for at least 3 sec to end descaling mode.
17) Remove and empty container.



- 18) Switch off coffee machine.
19) Empty and clean capsule/waste water container and drip tray.
20) Clean coffee machine with a damp cloth if necessary.

Nespresso C150 User Guide

Patrick Vollmar



Nespresso C150 User Guide:

Nespresso Vertuo Plus Pods User Guide Digital Sensei,2025-07-12 This independent guide is not affiliated with or endorsed by Nespresso or Nestl All trademarks and product names are the property of their respective owners This book is for informational purposes only and not a substitute for official instructions or professional advice Struggling to get the most out of your Nespresso Vertuo Plus You re not alone and this guide is here to change that Whether you just unboxed your machine or you ve been using it for months this no nonsense manual shows you exactly how to brew better coffee clean smarter and enjoy your machine like a pro No tech jargon No guesswork Just practical easy to follow instructions that work Inside you ll learn How to brew every pod perfectly from espresso to XL The real difference between pod types and how to pick the right one Simple maintenance routines to keep your machine running like new How to fix common issues fast without the stress Creative flavor pairings and recipes to elevate your daily cup Clear compact and designed for real people this book is your go to resource for mastering the Nespresso Vertuo Plus without the frustration Own the machine Enjoy the coffee Get the guide that makes it simple Click the Buy Button to grab a copy now **Nespresso Vertuo Plus Coffee And Espresso Maker User Guide** Pamela R Kilgore,2025-07-28 Brew Like a Barista from Day One Master Your Nespresso Vertuo Plus with Confidence Clarity and Coffeehouse Flavor at Home Just unboxed your Nespresso Vertuo Plus and not sure where to start Overwhelmed by blinking lights capsule choices and confusing instructions You re not alone and you re in the right place Nespresso Vertuo Plus Coffee and Espresso Maker User Guide is the ultimate companion for first time users who want more than just a basic manual This comprehensive guide transforms your coffee routine from guesswork to gourmet with expert tips smart hacks and beginner friendly instructions that make your coffee journey enjoyable not stressful Inside you ll discover What s in the box and how to set up your machine like a pro Easy step by step brewing instructions with visual cues How to choose the right capsule for strength size and flavor Cleaning descaling and troubleshooting made simple Barista level tips to create lattes iced coffee and rich crema Hacks for stronger coffee better froth and fewer mistakes How to care for your machine and maximize its lifespan Whether you re craving a bold espresso shot or a smooth creamy coffeehouse blend this guide puts the power of perfect coffee in your hands without the overwhelm Stop settling for mediocre brews Start mastering your machine Scroll up and grab your copy today to unlock the full flavor and potential of your Nespresso Vertuo Plus Breville Espresso Machine User Manual Marcus P Elwell,2025-07-12 Brew Like a Pro with Your Breville Your Ultimate Coffee Companion Awaits **Philips 3200 Fully Automatic Espresso Machine User Guide** Evan Queen,2025-08-07 Imagine waking up to the rich aroma of a caf quality espresso crafted effortlessly in your own kitchen with your Philips 3200 Fully Automatic Espresso Machine But what if you could unlock every secret this machine holds from brewing the perfect cappuccino to keeping it running like new The Philips 3200 Fully Automatic Espresso Machine User Guide is your key to transforming your coffee routine into a daily delight no barista training required This isn t just another

manual it's a comprehensive user guide that takes you from unboxing to mastering your Philips 3200 like a pro. Whether you're a coffee novice or a seasoned enthusiast, this book breaks down every feature with clear conversational instructions and insider tips you won't find in the official quick start guide. From personalizing drink strength to troubleshooting pesky error lights, each chapter is packed with step-by-step guidance, practical advice, and a touch of coffee passion. Learn how to select the best beans, create iced lattes, or maintain your machine with ease, all while avoiding common pitfalls. What sets this guide apart is its unique selling proposition: a beginner-to-expert approach that combines beginner-friendly basics with advanced techniques like optimizing grinder settings or pairing drinks with food, tailored specifically for the Philips 3200. No other guide offers this level of detail, including exclusive tips on energy-saving hacks and creative recipes to elevate your coffee game. With over 3000 words per chapter, plus appendices for technical specs and a glossary, this book is your ultimate coffee companion, ensuring every cup is perfect and your machine lasts for years. Imagine the confidence of brewing a flawless latte macchiato for friends or descaling your machine without stress; this guide makes it all possible. Don't let your Philips 3200's potential go untapped. Grab your copy of the Philips 3200 Fully Automatic Espresso Machine User Guide today and start brewing with confidence. Available now in print and digital formats at major retailers or directly from our website.

Disclaimer: This book is for educational purposes only and is not a substitute for the official Philips manual. Always consult Philips documentation or customer support for specific safety and warranty information. Unlock the full power of your coffee machine, order now, and make every sip a masterpiece.

Espresso Quick Reference Guide Phillip Janssen, 1998. This revised/updated edition includes over 1,000 espresso and Italian soda recipes. Espresso Quick Reference Guide also includes a complete ingredient index, as well as endless coffee and other related trivia, and the hottest trends. Learn about the history of coffee, how to prepare the perfect cup, espresso equipment, how to grow, harvest, process, and roast the coffee bean, and much more.

Coffee User's Guide Michael Sivetz, 1963

The Coffee Recipe Book Martina J. Hewitt, 2021-03-12. How to make Your Own Coffee. The simple art and tradition of brewing the perfect cup at home. Whether it's a morning drip or an evening espresso martini, amazing coffee is an artform. The Coffee Recipe Book is your guide to understanding how everything comes together for an artisanal coffee drink. With different recipes ranging from classic cappuccino to specialty lattes, there's a delicious option for everyone. Easily match the expertise of your favorite cafe with the perfect mix of the techniques and tools needed to give your daily grind a good home. The Coffee Recipe Book includes Day to night. Coffee isn't just for morning anymore, with drinks like Coconut Coffee Smoothie and Coffee Old Fashioned. Use your bean. A complete guide to coffee beans will help you select the right roast for every brew. In the details. Understand how components like water, bean style, and serving method all mix into the perfect pour. In this Espresso Making Guide Book, you will discover The best beans for espresso and where to find them. Experimentation with blends in order to find your own, acquired taste. Grinding your beans and what makes a good grinder. Bean storage to ensure maximum freshness. The secret ingredient, so simple, so

obvious and yet so few baristas are aware of it The simple technique that takes 20 seconds and improves espresso taste The right way to tamp your grounds The exact brewing sequence I use to brew perfect espresso every time My recommended automatic semi automatic and manual espresso machines Also my espresso drink recipes Brew up the perfect coffee drink just like a barista in the comfort of your own home Go Grab Your Copy

Right here, we have countless books **Nespresso C150 User Guide** and collections to check out. We additionally give variant types and plus type of the books to browse. The okay book, fiction, history, novel, scientific research, as capably as various new sorts of books are readily straightforward here.

As this Nespresso C150 User Guide, it ends taking place best one of the favored ebook Nespresso C150 User Guide collections that we have. This is why you remain in the best website to look the unbelievable ebook to have.

https://hersolutiongelbuy.com/book/detail/fetch.php/Previous_Ll_Question_Paper_Of_Tit_Laterals_Entrance.pdf

Table of Contents Nespresso C150 User Guide

1. Understanding the eBook Nespresso C150 User Guide
 - The Rise of Digital Reading Nespresso C150 User Guide
 - Advantages of eBooks Over Traditional Books
2. Identifying Nespresso C150 User Guide
 - Exploring Different Genres
 - Considering Fiction vs. Non-Fiction
 - Determining Your Reading Goals
3. Choosing the Right eBook Platform
 - Popular eBook Platforms
 - Features to Look for in an Nespresso C150 User Guide
 - User-Friendly Interface
4. Exploring eBook Recommendations from Nespresso C150 User Guide
 - Personalized Recommendations
 - Nespresso C150 User Guide User Reviews and Ratings
 - Nespresso C150 User Guide and Bestseller Lists
5. Accessing Nespresso C150 User Guide Free and Paid eBooks
 - Nespresso C150 User Guide Public Domain eBooks

- Nespresso C150 User Guide eBook Subscription Services
- Nespresso C150 User Guide Budget-Friendly Options
- 6. Navigating Nespresso C150 User Guide eBook Formats
 - ePub, PDF, MOBI, and More
 - Nespresso C150 User Guide Compatibility with Devices
 - Nespresso C150 User Guide Enhanced eBook Features
- 7. Enhancing Your Reading Experience
 - Adjustable Fonts and Text Sizes of Nespresso C150 User Guide
 - Highlighting and Note-Taking Nespresso C150 User Guide
 - Interactive Elements Nespresso C150 User Guide
- 8. Staying Engaged with Nespresso C150 User Guide
 - Joining Online Reading Communities
 - Participating in Virtual Book Clubs
 - Following Authors and Publishers Nespresso C150 User Guide
- 9. Balancing eBooks and Physical Books Nespresso C150 User Guide
 - Benefits of a Digital Library
 - Creating a Diverse Reading Collection Nespresso C150 User Guide
- 10. Overcoming Reading Challenges
 - Dealing with Digital Eye Strain
 - Minimizing Distractions
 - Managing Screen Time
- 11. Cultivating a Reading Routine Nespresso C150 User Guide
 - Setting Reading Goals Nespresso C150 User Guide
 - Carving Out Dedicated Reading Time
- 12. Sourcing Reliable Information of Nespresso C150 User Guide
 - Fact-Checking eBook Content of Nespresso C150 User Guide
 - Distinguishing Credible Sources
- 13. Promoting Lifelong Learning
 - Utilizing eBooks for Skill Development
 - Exploring Educational eBooks

14. Embracing eBook Trends

- Integration of Multimedia Elements
- Interactive and Gamified eBooks

Nespresso C150 User Guide Introduction

In this digital age, the convenience of accessing information at our fingertips has become a necessity. Whether its research papers, eBooks, or user manuals, PDF files have become the preferred format for sharing and reading documents. However, the cost associated with purchasing PDF files can sometimes be a barrier for many individuals and organizations. Thankfully, there are numerous websites and platforms that allow users to download free PDF files legally. In this article, we will explore some of the best platforms to download free PDFs. One of the most popular platforms to download free PDF files is Project Gutenberg. This online library offers over 60,000 free eBooks that are in the public domain. From classic literature to historical documents, Project Gutenberg provides a wide range of PDF files that can be downloaded and enjoyed on various devices. The website is user-friendly and allows users to search for specific titles or browse through different categories. Another reliable platform for downloading Nespresso C150 User Guide free PDF files is Open Library. With its vast collection of over 1 million eBooks, Open Library has something for every reader. The website offers a seamless experience by providing options to borrow or download PDF files. Users simply need to create a free account to access this treasure trove of knowledge. Open Library also allows users to contribute by uploading and sharing their own PDF files, making it a collaborative platform for book enthusiasts. For those interested in academic resources, there are websites dedicated to providing free PDFs of research papers and scientific articles. One such website is Academia.edu, which allows researchers and scholars to share their work with a global audience. Users can download PDF files of research papers, theses, and dissertations covering a wide range of subjects. Academia.edu also provides a platform for discussions and networking within the academic community. When it comes to downloading Nespresso C150 User Guide free PDF files of magazines, brochures, and catalogs, Issuu is a popular choice. This digital publishing platform hosts a vast collection of publications from around the world. Users can search for specific titles or explore various categories and genres. Issuu offers a seamless reading experience with its user-friendly interface and allows users to download PDF files for offline reading. Apart from dedicated platforms, search engines also play a crucial role in finding free PDF files. Google, for instance, has an advanced search feature that allows users to filter results by file type. By specifying the file type as "PDF," users can find websites that offer free PDF downloads on a specific topic. While downloading Nespresso C150 User Guide free PDF files is convenient, its important to note that copyright laws must be respected. Always ensure that the PDF files you download are legally available for free. Many authors and publishers voluntarily provide free PDF versions of their work, but its essential to be cautious and

verify the authenticity of the source before downloading Nespresso C150 User Guide. In conclusion, the internet offers numerous platforms and websites that allow users to download free PDF files legally. Whether its classic literature, research papers, or magazines, there is something for everyone. The platforms mentioned in this article, such as Project Gutenberg, Open Library, Academia.edu, and Issuu, provide access to a vast collection of PDF files. However, users should always be cautious and verify the legality of the source before downloading Nespresso C150 User Guide any PDF files. With these platforms, the world of PDF downloads is just a click away.

FAQs About Nespresso C150 User Guide Books

How do I know which eBook platform is the best for me? Finding the best eBook platform depends on your reading preferences and device compatibility. Research different platforms, read user reviews, and explore their features before making a choice. Are free eBooks of good quality? Yes, many reputable platforms offer high-quality free eBooks, including classics and public domain works. However, make sure to verify the source to ensure the eBook credibility. Can I read eBooks without an eReader? Absolutely! Most eBook platforms offer web-based readers or mobile apps that allow you to read eBooks on your computer, tablet, or smartphone. How do I avoid digital eye strain while reading eBooks? To prevent digital eye strain, take regular breaks, adjust the font size and background color, and ensure proper lighting while reading eBooks. What the advantage of interactive eBooks? Interactive eBooks incorporate multimedia elements, quizzes, and activities, enhancing the reader engagement and providing a more immersive learning experience. Nespresso C150 User Guide is one of the best book in our library for free trial. We provide copy of Nespresso C150 User Guide in digital format, so the resources that you find are reliable. There are also many Ebooks of related with Nespresso C150 User Guide. Where to download Nespresso C150 User Guide online for free? Are you looking for Nespresso C150 User Guide PDF? This is definitely going to save you time and cash in something you should think about.

Find Nespresso C150 User Guide :

~~privious ll question paper of tit laterals entrance~~

probation officer written exam study guide california

procare 400 service manual

procedures for phytochemical screening

probabilty and computing mitzenmacher upfal solution manual

program manual for team hot

pro gun control arguments essay

problem solving applying properties of similar triangles

professional development goal special education

pro life research essay

~~probability statistics with applications solution manual~~

~~profile paper questions~~

problem solving lesson 5 3 medians and altitudes answers

~~pro king manual transmissions~~

procedure manual bookkeeping

Nespresso C150 User Guide :

the cabinet of dr deekay camille rose garcia - Oct 10 2023

web the cabinet of dr deekay is a surreal psychedelic commentary on our modern world that follows young alex winchester after he wakes up in a strange hospital and finds parts of himself are missing he s the latest victim of a cruel world in which everyone is systematically being rearranged

timothy lim yong kuei jinekolog ve doğum uzmanı singapur - Mar 23 2022

web randevu alın singapur daki en ünlü jinekolog ve doğum uzmanlarından biri olan ve 25 yılı aşkın deneyime sahip dr timothy lim yong kuei tarafından mount alvernia hastanesinde tedavi olun mükemmel doktorlardan tıbbi destek alın

the cabinet of dr deekay by camille rose garcia - Oct 30 2022

web the cabinet of dr deekay camille rose garcia 176 pages missing pub info isbn uid 9780578543277 format hardcover language english publisher sympathetic press publication date 22 november 2019 nonfiction art fantasy adventurous dark medium paced to read read currently reading did not finish

leslie kuek estetik cerrah singapur singapur randevu - Apr 23 2022

web randevu alın singapur daki en ünlü kozmetik cerrahlardan biri olan ve 30 yıllık deneyime sahip dr leslie kuek tarafından tedavi olun singapur farrer park hastanesi nde burada mükemmel doktorlardan tıbbi destek bulun

the cabinet of dr deekay by camille rose garcia alibris - Sep 28 2022

web buy the cabinet of dr deekay by camille rose garcia online at alibris we have new and used copies available in 1 editions starting at 27 83 shop now

pmo the government prime minister s office singapore - May 25 2022

web the cabinet is the central decision making body of the executive government it is an organ of state and central to singapore s system of government in practice all significant decisions or actions taken by the executive are first

[pmo the cabinet prime minister s office singapore](#) - Feb 19 2022

web the cabinet is led by the prime minister who is appointed by the president as the member of parliament who commands the confidence of the majority of the members of parliament on the advice of the prime minister the president appoints other ministers from among the members of parliament to form the cabinet

the cabinet of dr deekay garcia camille rose - Jan 01 2023

web the cabinet of dr deekay by garcia camille rose isbn 10 0578543273 isbn 13 9780578543277 sympathetic press 2019 hardcover

cabinet of dr deekay camille rose garcia graphic - Jun 06 2023

web cabinet of dr deekay by author camille rose garcia publishers sympathetic press isbn 9780578543277 product form hardback

cabinet of dr deekay camille rose garcia graphic - Sep 09 2023

web cabinet of dr deekay camille rose garcia kitabı satın al ingilizce ispanyolca almanca rusça arapça kitaplar cabinet of dr deekay camille rose garcia graphic novel comics kitapları bookstore dr com tr

cabinet of dr deekay by camille rose garcia open library - Mar 03 2023

web aug 26 2020 cabinet of dr deekay by camille rose garcia 2020 scb distributors edition in english

book event pick a look inside camille rose garcia s the cabinet of dr - Jul 27 2022

web dec 5 2019 camille rose garcia s new book the cabinet of dr deekay centers on a trip to the dentist

the cabinet of dr deekay camille rose garcia boek - Jun 25 2022

web bestel the cabinet of dr deekay van camille rose garcia voor 23 00 besteld morgen in huis gratis verzending vanaf 20 gratis afhalen in de winkel overzicht engelse boeken

cabinet of dr deekay the ciltli kapak 27 Şubat 2020 - Aug 08 2023

web cabinet of dr deekay the garcia camille rose amazon com tr kitap Çerez tercihlerinizi seçin Çerez bildirimimizde detaylandırıldığı üzere satın alım yapmanızı sağlamak alışveriş deneyiminizi geliştirmek ve hizmetlerimizi sunmak için gerekli olan çerezleri ve benzer araçları kullanıyoruz

the cabinet of dr deekay by garcia camille rose good 2019 - Nov 30 2022

web jul 20 2017 free shipping isbn 9780578543277 hardcover sympathetic press 2019 condition good book is in used good condition pages and cover are clean and intact used items may not include supplementary materials such as cds or access codes may show signs of minor shelf wear and contain limited notes and highlighting the

[cabinet of dr deekay the hardcover 27 feb 2020](#) - May 05 2023

web buy cabinet of dr deekay the by garcia camille rose isbn 9780578543277 from amazon s book store everyday low prices and free delivery on eligible orders

[the cabinet of dr deekay camille rose garcia empik com](#) - Aug 28 2022

web książka the cabinet of dr deekay autorstwa camille rose garcia dostępna w sklepie empik com w cenie 166 78 zł przeczytaj recenzję the cabinet of dr deekay zamów dostawę do dowolnego salonu i zapłać przy odbiorze

the cabinet of dr deekay by camille rose garcia waterstones - Feb 02 2023

web feb 27 2020 buy the cabinet of dr deekay by camille rose garcia from waterstones today click and collect from your local waterstones or get free uk delivery on orders over 25

[the cabinet of dr deekay hardcover barnes noble](#) - Apr 04 2023

web nov 22 2019 the cabinet of dr deekay by camille rose garcia write a review hardcover 39 99 ship this item temporarily out of stock online pick up in store check availability at nearby stores available within 2 business hours overview young alex winchester woke up in a grey metal hospital bed surrounded by the peering eyes of

the cabinet of dr deekay amazon com - Jul 07 2023

web nov 22 2019 the cabinet of dr deekay garcia camille rose on amazon com free shipping on qualifying offers the cabinet of dr deekay

[review for final exam geometry 22](#) - Sep 13 2023

web 7 find the circumference and area of each figure leave your answer in terms of π a r 8 mm b d 26 cm c 8 round your answers to 7a to the nearest hundredth c

sample final exam questions geometry - Oct 14 2023

web there are many problems that incorporate algebra into geometry in a superficial way while testing important properties of geometric figures here are some examples any required

review for final exam geometry 22 fairfield schools - Nov 22 2021

web 7 find the circumference and area of each figure leave your answer in terms of π a r 8 mm b d 26 cm c 8 round your answers to 15a to the nearest hundredth c

geometry semester 1 final exam review mr backer s math - Feb 06 2023

web 20 i what is the circumference of a circle with leave answers in s form a radius of 4 cm b diameter of 32 cm ii what is the area of a circle with leave answers in form b

[final exam review 2010 loudoun county public schools](#) - May 09 2023

web directions questions 1 50 true false and multiple choice circle the correct answer or put it in the space provided

questions 51 74 matching place the letter of your answer

name geometry final exam review neshaminy school - Nov 03 2022

web 62 area of circle 63 area of square 64 area of shaded region 65 circumference of circle 66 perimeter of square 67 area of

geometry final exam review circles cusd80 com - Mar 07 2023

web geometry spring final exam review circles multiple choice identify the choice that best completes the statement or answers the question assume that lines that appear to

geometry semester ii final exam review answers vroma - Jun 10 2023

web geometry semester ii final exam review answers 1 c 2 d 3 d 4 105 3 09 34 5 c 6 c 7 aa similarity postulate sss similarity theorem sas similarity theorem 8 b

honors geometry final exam 2004 name lexington public - Apr 27 2022

web a e k h figure for problem 8 c o 8 6 pts a quadrilateral back is circumscribed about a circle m b 108o m a 86o m c 72o

geometry final exam pdf name date period geometry - Apr 08 2023

web name date period geometry final exam directions circle the best answer for each question lindsay bowden 2019 1 can you prove the triangles are

geometry final exam review - Jul 11 2023

web show all your work part a translate 8 units to the right down 2 units list the new coordinates part b

perpendicular from the centre to a chord sanfoundry - Dec 24 2021

web this set of class 9 maths chapter 10 multiple choice questions answers mcqs focuses on circles perpendicular from the centre to a chord 1 what is the value of

geometry practice final exam 285 plays quizizz - May 29 2022

web mathematics 10th 12thgrade geometry practice final exam christopher schultz 285 plays 30 questions copy edit live session assign show answers see preview

geometry practice questions triangles polygons circles ascent - Feb 23 2022

web a collection of curated practice questions on geometry that typically appear in tancet gmat gre cat and other b school admission tests detailed explanatory answers

geometry final exam review amphitheater public schools - Jun 29 2022

web reduce the radical 3 1 and 6 5 2 8 and 4 3 6 4 and 5 1 9 2 and 2 9 5 8 and 2 9 determine the midpoint of a line segment with each set of given endpoints 8

circles geometry all content math khan academy - Sep 01 2022

web test your understanding of circles with these num s questions start test explore prove and apply important properties of

circles that have to do with things like arc

pdf geometry final exam review circles free download pdf - Oct 02 2022

web oct 22 2017 geometry final exam review circles multiple choice identify the choice that best completes the statement or answers the question assume that lines that

b d weebly - Mar 27 2022

web geometry final exam review multiple choice identify the choice that best completes the statement or answers the question 1 find the value of x the diagram is not to

geometry semester 2 final exam review 112 plays quizizz - Jan 25 2022

web law of sines cosines 2 4k plays 9th 12th geometry semester 2 final exam review quiz for 9th grade students find other quizzes for mathematics and more on

name - Dec 04 2022

web 3 4 4 geometry final exam review answer section multiple choice 1 ans c pts 1 dif l3 ref 12 2 chords and arcs obj 12 2 1 use congruent chords arcs

geometry semester 2 final review 2 ms - Jan 05 2023

web geometry final exam review 2 semester 2 26 describe the cross section of the figure shown 27 what is the value of x if the cylinder has a volume of 475ft^3 28 find the

geometry mr schumann s website - Aug 12 2023

web term 1 or 3 final exam review packet answer key click here geometry terms 2 and 4 chapter 5 midsegments medians angles bisectors perpendicular bisectors

geometry final exam flashcards quizlet - Jul 31 2022

web isosceles triangle according to the triangle angle sum theorem the sum of the measures of the angles of a triangle is 180 degrees in two congruent polygons all of the

dickmadam die lachte s l noir pdf pdf bnel org - Jul 14 2023

web jun 17 2023 merely said the dickmadam die lachte s l noir pdf is universally compatible taking into account any devices to read nolan s farm elysburg pa facebook

krimi comic dickmadam die lachte tagesspiegel - Dec 07 2022

web oct 28 2018 zidrous krimi comic dickmadam die lachte ist eine bitterböse variante des ewig gültigen menschlichen dramas von lust gier schuld und wut zum

le secret de la dame en noir short 1984 imdb - Nov 25 2021

web le secret de la dame en noir directed by michel kaptur

dickmadam die lachte s l noir download only - Aug 15 2023

web transformative change is truly awe inspiring enter the realm of dickmadam die lachte s l noir a mesmerizing literary masterpiece penned with a distinguished author guiding

[dickmadam die lachte s l noir pdf pdf](#) - Feb 09 2023

web dickmadam die lachte s l noir pdf pdf web may 28 2023 2023 dickmadam die lachte s l noir gebundene ausgabe amazon de web dickmadam die lachte s l noir zidrou

dickmadam die lachte s l noir by zidrou benoît springer - May 12 2023

web dickmadam die lachte s amp l noir buchen mit zidrou es ist eines der bestseller bücher in diesem monat verfügbar in den formaten pdf epub mobi kindle e book und audiobook

online library dickmadam die lachte s l noir pdf free copy - Jan 08 2023

web jul 9 2023 online library dickmadam die lachte s l noir pdf free copy getting the books dickmadam die lachte s l noir now is not type of challenging means you

[dickmadam die lachte s l noir by zidrou benoît springer](#) - Jul 02 2022

web jun 10 2023 dickmadam die lachte s l noir by zidrou benoît springer by online dickmadam die lachte s l noir by zidrou benoît springer is obtainable in

dickmadam die lachte s l noir agspring - Jan 28 2022

web feb 3 2023 it is your entirely own time to feign reviewing habit among guides you could enjoy now is dickmadam die lachte s l noir below dickmadam die lachte s l noir

[dickmadam die lachte s l noir by zidrou benoît springer](#) - Aug 03 2022

web dickmadam die lachte s l noir by zidrou benoît springer ic café online shop angebotsliste online suchen grenzgenial ch ryan heshka s mean girls club tillmann

[le parfum de la dame en noir film 1974 senscritique](#) - Oct 25 2021

web le terrier vaudou du giallo dont il est labellisé le parfum de la dame en noir ne conserve que le côté mystérieux seyant au genre mais en dehors de cette mince composante il

[dickmadam die lachte s l noir agenciaojs mincyt gob ar](#) - Jun 01 2022

web dickmadam die lachte s l noir eventually you will enormously discover a additional experience and deed by spending more cash yet when attain you undertake that you

dickmadam die lachte s l noir full pdf - Jun 13 2023

web book dickmadam die lachte s l noir only if you are registered here download and read online dickmadam die lachte s l noir pdf book file easily for everyone or every device

dickmadam die lachte s l noir doublespacio uchile - Mar 30 2022

web the dickmadam die lachte s l noir link that we come up with the money for here and check out the link you could purchase guide dickmadam die lachte s l noir or

[dickmadam die lachte comic review youtube](#) - Sep 04 2022

web feb 23 2021 das Ehepaar pla betreibt im australischen outback eine straußenfarm bis pep pla eines nachts mit dem vorschlaghammer seine frau erschlägt und in eine grube

dickmadam die lachte s l noir by zidrou benoît springer - Apr 11 2023

web jun 14 2023 this dickmadam die lachte s l noir by zidrou benoît springer by online as identified journey as masterfully as wisdom just about educational session

dickmadam die lachte rezension nerd mit nadel - Mar 10 2023

web sep 16 2018 dickmadam die lachte ist geheimnisvoll skurril blutig und faszinierend inspiriert wurden die autoren von dem chanson und sie lachte der im anhang

le parfum de la dame en noir film 2004 allociné - Dec 27 2021

web suivant l ordre des romans de gaston leroux le parfum de la dame en noir est la suite du mystère de la chambre jaune déjà réalisé par bruno podalydès le premier film sorti en

dickmadam die lachte s l noir book pqr uiaf gov co - Oct 05 2022

web dickmadam die lachte s l noir as recognized adventure as capably as experience approximately lesson amusement as without difficulty as pact can be gotten by just

[dickmadam die lachte s l noir pdf shaul io](#) - Feb 26 2022

web this dickmadam die lachte s l noir as one of the most enthusiastic sellers here will totally be in the course of the best options to review dickmadam die lachte s l noir

dickmadam die lachte s l noir pdf traditionalcatholicpriest - Apr 30 2022

web all we manage to pay for dickmadam die lachte s l noir pdf and numerous book collections from fictions to scientific research in any way in the course of them is this

dickmadam die lachte s l noir by zidrou book ebay - Nov 06 2022

web jan 12 2023 we ask you to make a distinction between a complaint and cancellation we try to assess the exact condition of the goods as objectively as possible action

dickmadam die lachte s l noir pdf pqr uiaf gov co - Sep 23 2021

web dickmadam die lachte s l noir recognizing the quirk ways to acquire this books dickmadam die lachte s l noir is additionally useful you have remained in right site

