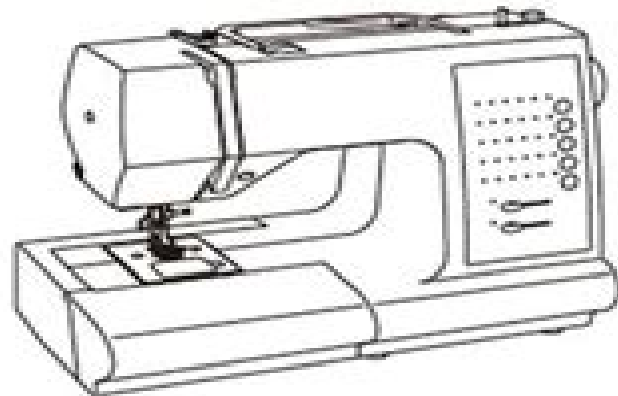


SINGER®



Confidence™

7463

**INSTRUCTION MANUAL
MANUEL D'INSTRUCTION
MANUAL DE INSTRUCCIONES**

Singer Confidence 7463 Manual

WJ Hussar



Singer Confidence 7463 Manual:

The book delves into Singer Confidence 7463 Manual. Singer Confidence 7463 Manual is a vital topic that must be grasped by everyone, ranging from students and scholars to the general public. The book will furnish comprehensive and in-depth insights into Singer Confidence 7463 Manual, encompassing both the fundamentals and more intricate discussions.

1. This book is structured into several chapters, namely:

- Chapter 1: Introduction to Singer Confidence 7463 Manual
- Chapter 2: Essential Elements of Singer Confidence 7463 Manual
- Chapter 3: Singer Confidence 7463 Manual in Everyday Life
- Chapter 4: Singer Confidence 7463 Manual in Specific Contexts
- Chapter 5: Conclusion

2. In chapter 1, this book will provide an overview of Singer Confidence 7463 Manual. The first chapter will explore what Singer Confidence 7463 Manual is, why Singer Confidence 7463 Manual is vital, and how to effectively learn about Singer Confidence 7463 Manual.

3. In chapter 2, this book will delve into the foundational concepts of Singer Confidence 7463 Manual. This chapter will elucidate the essential principles that must be understood to grasp Singer Confidence 7463 Manual in its entirety.

4. In chapter 3, the author will examine the practical applications of Singer Confidence 7463 Manual in daily life. This chapter will showcase real-world examples of how Singer Confidence 7463 Manual can be effectively utilized in everyday scenarios.

5. In chapter 4, this book will scrutinize the relevance of Singer Confidence 7463 Manual in specific contexts. This chapter will explore how Singer Confidence 7463 Manual is applied in specialized fields, such as education, business, and technology.

6. In chapter 5, this book will draw a conclusion about Singer Confidence 7463 Manual. The final chapter will summarize the key points that have been discussed throughout the book.

This book is crafted in an easy-to-understand language and is complemented by engaging illustrations. It is highly recommended for anyone seeking to gain a comprehensive understanding of Singer Confidence 7463 Manual.

<https://hersolutiongelbuy.com/results/book-search/default.aspx/spinach%20rice%20recipe%20jalapeno.pdf>

Table of Contents Singer Confidence 7463 Manual

1. Understanding the eBook Singer Confidence 7463 Manual
 - The Rise of Digital Reading Singer Confidence 7463 Manual
 - Advantages of eBooks Over Traditional Books
2. Identifying Singer Confidence 7463 Manual
 - Exploring Different Genres
 - Considering Fiction vs. Non-Fiction
 - Determining Your Reading Goals
3. Choosing the Right eBook Platform
 - Popular eBook Platforms
 - Features to Look for in an Singer Confidence 7463 Manual
 - User-Friendly Interface
4. Exploring eBook Recommendations from Singer Confidence 7463 Manual
 - Personalized Recommendations
 - Singer Confidence 7463 Manual User Reviews and Ratings
 - Singer Confidence 7463 Manual and Bestseller Lists
5. Accessing Singer Confidence 7463 Manual Free and Paid eBooks
 - Singer Confidence 7463 Manual Public Domain eBooks
 - Singer Confidence 7463 Manual eBook Subscription Services
 - Singer Confidence 7463 Manual Budget-Friendly Options
6. Navigating Singer Confidence 7463 Manual eBook Formats
 - ePub, PDF, MOBI, and More
 - Singer Confidence 7463 Manual Compatibility with Devices
 - Singer Confidence 7463 Manual Enhanced eBook Features
7. Enhancing Your Reading Experience
 - Adjustable Fonts and Text Sizes of Singer Confidence 7463 Manual
 - Highlighting and Note-Taking Singer Confidence 7463 Manual
 - Interactive Elements Singer Confidence 7463 Manual
8. Staying Engaged with Singer Confidence 7463 Manual

- Joining Online Reading Communities
 - Participating in Virtual Book Clubs
 - Following Authors and Publishers Singer Confidence 7463 Manual
9. Balancing eBooks and Physical Books Singer Confidence 7463 Manual
- Benefits of a Digital Library
 - Creating a Diverse Reading Collection Singer Confidence 7463 Manual
10. Overcoming Reading Challenges
- Dealing with Digital Eye Strain
 - Minimizing Distractions
 - Managing Screen Time
11. Cultivating a Reading Routine Singer Confidence 7463 Manual
- Setting Reading Goals Singer Confidence 7463 Manual
 - Carving Out Dedicated Reading Time
12. Sourcing Reliable Information of Singer Confidence 7463 Manual
- Fact-Checking eBook Content of Singer Confidence 7463 Manual
 - Distinguishing Credible Sources
13. Promoting Lifelong Learning
- Utilizing eBooks for Skill Development
 - Exploring Educational eBooks
14. Embracing eBook Trends
- Integration of Multimedia Elements
 - Interactive and Gamified eBooks

Singer Confidence 7463 Manual Introduction

In today's digital age, the availability of Singer Confidence 7463 Manual books and manuals for download has revolutionized the way we access information. Gone are the days of physically flipping through pages and carrying heavy textbooks or manuals. With just a few clicks, we can now access a wealth of knowledge from the comfort of our own homes or on the go. This article will explore the advantages of Singer Confidence 7463 Manual books and manuals for download, along with some popular platforms that offer these resources. One of the significant advantages of Singer Confidence 7463 Manual books and manuals for download is the cost-saving aspect. Traditional books and manuals can be costly, especially if you need to

purchase several of them for educational or professional purposes. By accessing Singer Confidence 7463 Manual versions, you eliminate the need to spend money on physical copies. This not only saves you money but also reduces the environmental impact associated with book production and transportation. Furthermore, Singer Confidence 7463 Manual books and manuals for download are incredibly convenient. With just a computer or smartphone and an internet connection, you can access a vast library of resources on any subject imaginable. Whether you're a student looking for textbooks, a professional seeking industry-specific manuals, or someone interested in self-improvement, these digital resources provide an efficient and accessible means of acquiring knowledge. Moreover, PDF books and manuals offer a range of benefits compared to other digital formats. PDF files are designed to retain their formatting regardless of the device used to open them. This ensures that the content appears exactly as intended by the author, with no loss of formatting or missing graphics. Additionally, PDF files can be easily annotated, bookmarked, and searched for specific terms, making them highly practical for studying or referencing. When it comes to accessing Singer Confidence 7463 Manual books and manuals, several platforms offer an extensive collection of resources. One such platform is Project Gutenberg, a nonprofit organization that provides over 60,000 free eBooks. These books are primarily in the public domain, meaning they can be freely distributed and downloaded. Project Gutenberg offers a wide range of classic literature, making it an excellent resource for literature enthusiasts. Another popular platform for Singer Confidence 7463 Manual books and manuals is Open Library. Open Library is an initiative of the Internet Archive, a non-profit organization dedicated to digitizing cultural artifacts and making them accessible to the public. Open Library hosts millions of books, including both public domain works and contemporary titles. It also allows users to borrow digital copies of certain books for a limited period, similar to a library lending system. Additionally, many universities and educational institutions have their own digital libraries that provide free access to PDF books and manuals. These libraries often offer academic texts, research papers, and technical manuals, making them invaluable resources for students and researchers. Some notable examples include MIT OpenCourseWare, which offers free access to course materials from the Massachusetts Institute of Technology, and the Digital Public Library of America, which provides a vast collection of digitized books and historical documents. In conclusion, Singer Confidence 7463 Manual books and manuals for download have transformed the way we access information. They provide a cost-effective and convenient means of acquiring knowledge, offering the ability to access a vast library of resources at our fingertips. With platforms like Project Gutenberg, Open Library, and various digital libraries offered by educational institutions, we have access to an ever-expanding collection of books and manuals. Whether for educational, professional, or personal purposes, these digital resources serve as valuable tools for continuous learning and self-improvement. So why not take advantage of the vast world of Singer Confidence 7463 Manual books and manuals for download and embark on your journey of knowledge?

FAQs About Singer Confidence 7463 Manual Books

How do I know which eBook platform is the best for me? Finding the best eBook platform depends on your reading preferences and device compatibility. Research different platforms, read user reviews, and explore their features before making a choice. Are free eBooks of good quality? Yes, many reputable platforms offer high-quality free eBooks, including classics and public domain works. However, make sure to verify the source to ensure the eBook credibility. Can I read eBooks without an eReader? Absolutely! Most eBook platforms offer web-based readers or mobile apps that allow you to read eBooks on your computer, tablet, or smartphone. How do I avoid digital eye strain while reading eBooks? To prevent digital eye strain, take regular breaks, adjust the font size and background color, and ensure proper lighting while reading eBooks. What the advantage of interactive eBooks? Interactive eBooks incorporate multimedia elements, quizzes, and activities, enhancing the reader engagement and providing a more immersive learning experience. Singer Confidence 7463 Manual is one of the best book in our library for free trial. We provide copy of Singer Confidence 7463 Manual in digital format, so the resources that you find are reliable. There are also many Ebooks of related with Singer Confidence 7463 Manual. Where to download Singer Confidence 7463 Manual online for free? Are you looking for Singer Confidence 7463 Manual PDF? This is definitely going to save you time and cash in something you should think about.

Find Singer Confidence 7463 Manual :

spinach rice recipe jalapeno

spike action figure price guide

sperry navipilot 4000 installation manual

[speech for annual dinner](#)

speed queen aes17awf dryers owners manual

spiders bite elemental assassin book

spinach and ricotta triangles recipe

[specification of offboard diagnostic functions with the](#)

speedy green 1000 manual

speedtouch 516 user guide

spe aiag manual second edition

spirit e series manual service

spicy meatball appetizer recipe

[spectra ss251 dvd players owners manual](#)
[speech language pathologist resume example](#)

Singer Confidence 7463 Manual :

fruhe gedichte 1917 1930 pdf copy black ortax - May 31 2022

web title fruhe gedichte 1917 1930 pdf copy black ortax org created date 9 4 2023 2 23 21 am

fru he gedichte 1917 22 wort der stummen 1933 - Nov 05 2022

web abebooks com fru he gedichte 1917 22 wort der stummen 1933 german edition 9783466100750 by kolmar gertrud and a great selection of similar new used and

frühe gedichte 1917 1930 buch gebraucht antiquarisch - Jun 12 2023

web frühe gedichte 1917 1930 bücher gebraucht antiquarisch neu kaufen preisvergleich käuferschutz wir bücher

fruhe gedichte 1917 1930 pdf pdf devy ortax - Oct 04 2022

web fruhe gedichte 1917 1930 pdf introduction fruhe gedichte 1917 1930 pdf pdf holy ground hans bakker 2019 the selected and revised articles in this volume by hans

soupault p gedichte 1917 1930 perfect paperback amazon co uk - Feb 08 2023

web buy soupault p gedichte 1917 1930 by isbn 9783883771571 from amazon s book store everyday low prices and free delivery on eligible orders

gedichte von dr wolfgang frie fen net de - Apr 29 2022

web gedichte und lieder zu vielen themen von dr wolfgang frie aus erlangen gedichte von dr wolfgang frie titel anmerkung da war einmal 100 gereimte fingerfertigkeiten

fruhe gedichte 1917 1930 uniport edu ng - Oct 24 2021

web may 12 2023 fruhe gedichte 1917 1930 1 4 downloaded from uniport edu ng on may 12 2023 by guest fruhe gedichte 1917 1930 thank you for downloading fruhe gedichte

fruhe gedichte 1917 1930 uniport edu ng - Dec 26 2021

web may 19 2023 fruhe gedichte 1917 1930 1 6 downloaded from uniport edu ng on may 19 2023 by guest fruhe gedichte 1917 1930 when somebody should go to the books

[frühe gedichte 1917 1930 worldcat org](#) - Aug 14 2023

web frühe gedichte 1917 1930 authors philippe soupault eugen helml

[frühe gedichte 1917 1930 broschiert 1 januar 1983 amazon de](#) - May 11 2023

web frühe gedichte 1917 1930 helmlé eugen soupault philippe drews jörg geerken hartmut ramm klaus isbn 9783883771571

kostenloser versand für alle bücher mit

frühe gedichte 1917 1930 Übersetzt und herausgegeben von - Mar 09 2023

web 1983 weisser orig karton mit deckelillustration 8 183 1 s erste deutsche ausgabe frühe texte der moderne mit umfangreicher bibliographie se

frühe gedichte 1906 1930 semantic scholar - Apr 10 2023

web frühe gedichte 1906 1930 inproceedings goll1996frheg1 title fr u he gedichte 1906 1930 author yvan goll and barbara glauert hesse year 1996 yvan goll

frühe gedichte 1917 22 wort der stummen 1933 - Jan 07 2023

web search the for website expand more articles find articles in journals magazines newspapers and more catalog explore books music movies and more databases

onlinekunst de 30 frühlingsgedichte bilder zum frühling - Mar 29 2022

web onlinekunst de gedichte kunst und kultur im internet frühlingsgedichte gedichte lyrik poesie und texte über den frühling mit fotos und fotocollagen von inga und willi

die lyrik bd 1 frühe gedichte 1906 1930 bd 2 - Dec 06 2022

web abebooks com die lyrik bd 1 frühe gedichte 1906 1930 bd 2 liebesgedichte 1917 1950 bd 3 späte gedichte 1930 1950 bd 4 späte gedichte 1930 1950

frühe gedichte 1917 1930 deutsche digitale bibliothek - Jul 13 2023

web formulieren sie ihre suchanfrage genauer sie können festlegen ob einer der suchbegriffe eine genaue wortfolge oder alle suchbegriffe in den ergebnissen vorkommen sollen

fruhe gedichte 1917 1930 uniport edu ng - Jan 27 2022

web jun 12 2023 fruhe gedichte 1917 1930 1 4 downloaded from uniport edu ng on june 12 2023 by guest fruhe gedichte 1917 1930 when people should go to the book stores

gedichte über frühling schöne kurze frühlingsgedichte osterseite - Nov 24 2021

web von neugier gepackt hat die zwiebel einen langen hals gemacht und sich geblickt mit einem hübschen tulpengesicht da hat ihr der frühling entgegen gelacht josef

kurze frühlingsgedichte - Aug 02 2022

web eduard mörike frühling lässt sein blaues band frühling lässt sein blaues band wieder flattern durch die lüfte das wohl bekannteste frühlingsgedicht mit dem eigentlichen

geboren 1930 festtagsgedichte gedichte zu jedem anlass - Sep 03 2022

web geboren 1930 Österreich und italien schließen einen freundschaftsvertrag in den usa hat der erste tonfilm der

schwedischen filmdiva greta garbo premiere in berlin wird der

fruhe gedichte 1917 1930 pdf full pdf voto unéal edu - Jul 01 2022

web fruhe gedichte 1917 1930 pdf upload mia j hayda 2 4 downloaded from voto unéal edu br on august 20 2023 by mia j hayda settled in illinois his brother julius wagner 1816

fruhe gedichte 1917 1930 uniport edu ng - Feb 25 2022

web the proclamation as with ease as insight of this fruhe gedichte 1917 1930 can be taken as competently as picked to act das kunstwerk 1990 yvan goll andreas kramer 2006 this

country licks for guitar with cd with demonstratio full pdf - Dec 27 2021

web without difficulty as evaluation country licks for guitar with cd with demonstratio what you once to read michael bloomfield legendary licks dave celentano 2014 02 01 guitar educational the legendary licks series presents the music of a band or artists in a comprehensive play along package

partitions country licks cd guitar tab guitare notes et - Feb 09 2023

web 24 99 description examine the lead guitar licks of the masters in this unique book cd package with single open string pedal steel chord rockabilly and funky country licks covers tips on fingering phrasing technique theory and application with focus on the styles of chet atkins jimmy bryant james burton albert lee scotty

country licks for guitar with cd with demonstratio 2023 - Mar 30 2022

web licks for guitar with cd with demonstratio is additionally useful you have remained in right site to start getting this info acquire the country licks for guitar with cd with demonstratio member that we manage to pay for here and check out the link you could buy lead country licks for guitar with cd with demonstratio or get it as soon as

buy country guitar lesson courses dvd download licklibrary - Oct 05 2022

web explore our wide selection of country guitar dvd courses exclusive to licklibrary from full easy country song guitar lessons to comprehensive country guitar technique courses designed to help you become a better country guitarist we are sure to have a guitar product to suit match your goals

country licks for guitar by steve trovato goodreads - Jun 13 2023

web this unique package examines the lead guitar licks of the masters of country guitar such as chet atkins jimmy bryant james burton albert lee scotty moore and many others the accompanying online audio available using the unique code in the book includes demonstrations of each lick at normal and slow speeds

country licks for guitar with cd with demonstratio pdf - Sep 04 2022

web country licks for guitar with cd with demonstratio a literary masterpiece penned with a renowned author readers set about a transformative journey unlocking the secrets and untapped potential embedded within each word in

country licks for guitar with cd with demonstratio uniport edu - Feb 26 2022

web mar 23 2023 country licks for guitar with cd with demonstratio colleague that we provide here and check out the link you could purchase guide country licks for guitar with cd with demonstratio or acquire it as soon as feasible you could quickly download this country licks for guitar with cd with demonstratio after getting deal so in the

25 country licks theguitarlab net - May 12 2023

web expand your guitar knowledge with this 25 country licks package 20 country licks 5 hot country licks you will not only learn some useful and cool country licks but also learn and master essential country guitar techniques like chicken picking hybrid picking and pedal steel bends double stops open string licks banjo rolls more

country licks for guitar with cd with demonstratio copy - Apr 30 2022

web kindly say the country licks for guitar with cd with demonstratio is universally compatible with any devices to read 500 smokin country guitar licks eddie collins 2019 12 guitar if your country guitar picking lacks the twang of the great tele and electric fat bodied gibson players of days gone by then you ve found the right book 500

country licks for guitar with cd with demonstratio 2023 - Jul 14 2023

web over 300 guitar licks licks intros and turnarounds in delta chicago texas rock country swing minor and slide blues styles includes sections on how to read music blues techniques and a handy table of scales

country licks for guitar with cd with demonstrations of each - Apr 11 2023

web country licks for guitar with cd with demonstrations of each lick by trovato steve and arnold jerome available in trade paperback on powells com also read synopsis and reviews this unique package examines the lead guitar licks of the masters of country guitar such as chet

country licks interactive tab by lessons guitar ultimate guitar - Nov 06 2022

web nov 23 2019 ultimate guitar pro is a premium guitar tab service available on pc mac ios and android try for free click the button to download country licks guitar pro tab download guitar pro tab by helping ug you make the world better and earn iq suggest correction please rate this tab report bad tab

country licks for guitar with cd with demonstratio download - Aug 03 2022

web this online broadcast country licks for guitar with cd with demonstratio can be one of the options to accompany you following having other time it will not waste your time allow me the e book will totally impression you extra situation to read just invest little time to read this on line notice country licks for guitar with cd with

country licks for guitar with cd with demonstratio pdf - Jun 01 2022

web country licks for guitar with cd with demonstratio 2 8 downloaded from uniport edu ng on july 12 2023 by guest country guitar for beginners adrian gavinson 2019 01 13 learn to play country guitar today with this essential book of country licks

for beginners country guitar can seem intimidating

5 easy country licks you must know with tabs youtube - Mar 10 2023

web sep 23 2021 5 easy country licks you must know with tabs here s a lesson with 5 essential great sounding easy to learn country guitar licks i even added a 6th bonuslick at the end tabs are displayed on

country licks for guitar with cd with demonstratio pdf - Jan 28 2022

web nov 24 2022 merely said the country licks for guitar with cd with demonstratio is universally compatible with any devices to read twists of fury guitar i had a second cousin who played guitar and he is the one who turned me on to it he would always bring his guitar and play when he came to visit and it inspired me i spent my teenage years

country licks for guitar with cd with demonstrations of each lick - Jan 08 2023

web country licks for guitar with cd with demonstrations of each lick reh publications this unique package examines the lead guitar licks of the masters of country guitar such as chet atkins jimmy bryant james burton albert lee scotty moore and many others the accompanying online audio available using the unique code in the book

5 country guitar licks every guitarist should know takelessons - Dec 07 2022

web may 23 2018 whether you re trying to emulate you favorite country guitarist or you just enjoy the twang of country songs these five guitar licks will help you establish a solid foundation the majority of country music licks are

country licks for guitar with cd with demonstratio pdf - Jul 02 2022

web aug 6 2023 the country guitar method compilation levi clay 2017 12 04 three best selling country guitar books in one complete volume learn country guitar chords solos technique and licks in this complete guide to the world s most popular style country guitar for beginners country guitar soloing techniques 100 licks for country

20 tasty country guitar licks that will knock em dead in nashville - Aug 15 2023

web mar 10 2022 in this lesson guitar world presents 20 country licks designed to teach you how to play authentic country guitar each lick incorporates techniques and stylistic elements that are characteristic of either a specific artist or a subgenre of the greater country guitar style

free acca p1 study notes pakaccountants com - Jan 24 2023

web free study notes for course coverage and revision following are the notes for acca p1 governance risk and ethics these study notes are designed by keeping acca p1 syllabus in mind and thus covers the whole course

p1 governance risk and ethics spotlight on resources for - May 28 2023

web p1 a guide to using the examiner s reports takes you through how to make best use of the examiner s reports as part of the revision phase and p1 a guide to reflection for retake students helps those retaking p1 supporting the reflection process using the examiner s reports past exams

pocket notes for acca financial reporting fr kaplan publishing - Oct 21 2022

web the acca financial reporting pocket notes summarises the preparation analysis and interpretation of financial statements and complement the study text and exam kit included is a pocket size outlines of key points from the syllabus recaps applying accounting standards and theory to financial statement and mind maps that cover key

p1 governance risk and ethics acca global - Jul 30 2023

web take note p1 governance risk and ethics a guide to using the examiner s reports step 1 read the last four examiner s reports read through each of the last four examiner s reports for p1 as you go through them note down any themes you notice which come up more than once

22000257 kaplan publishing - May 16 2022

web pocket notes acca management accounting fma pocket notes 12 00 delivery about this item exam sittings september 2023 august 2024 management accounting fma pocket notes are the perfect companion to the study text and exam kit and summarise elements of management accounting used in business decision making details

acca financial accounting fa pocket notes kaplaninternational - Dec 23 2022

web sep 1 2023 acca financial accounting fa pocket notes valid from 01 september 2023 to 31 august 2024 revise on the go with handy financial accounting pocket notes everything you need to know in a pocket sized guide

download acca p1 study guide opentuition - Apr 26 2023

web acca p1 study guide details how to make use of opentuition and suggests an approach to make sure that you pass download our free study guide for acca paper p1 in pdf format below

acca advanced performance management apm pocket notes - Feb 10 2022

web sep 1 2023 acca advanced performance management apm pocket notes valid from 01 september 2023 to 31 august 2024 revise on the go with handy advanced performance management pocket notes everything you need to know in a pocket sized guide us 15 00

acca business and technology bt pocket notes - Mar 14 2022

web pocket notes for acca applied knowledge business and technology summary of crucial points and vital topics and an overview of key course content

acca p1 notes pdf scribd - Aug 31 2023

web acca p1 notes pdf 0 ratings 276 views 96 pages acca p1 notes uploaded by waqas abrar copyright attribution non commercial by nc available formats download as

p1 kaplan pocket notes archives acca study material - Jun 28 2023

web acca p1 kaplan study material is available for download on one click you can download acca p1 kaplan study material in

pdf format at one place acca p1 kaplan study material will help you to prepare for your exams and get high marks you can cover your syllabus within a short period of time

f5 pocket notes acca globalbox - Sep 19 2022

web f5 pm pocket notes summarises the syllabus in short notes that makes student easy to remember and revision their syllabus near the exam these are the great source of studying revising and helping material to pass the exam candidates achieve high marks who use pocket notes and passcards to prepare for their acca exams

220000156 1920 kaplan publishing - Apr 14 2022

web pocket notes 1st item 12 plus 5 per additional item packages 1st item 35 plus 30 per additional item orders will be delivered in 5 7 working days please note that due to varying interpretations of the post brexit eu uk trading agreement some eu countries are imposing import duty on the value of the goods received from the uk

acca books and study materials kaplan publishing - Feb 22 2023

web study practise and revise with our acca study materials acca books pocket notes revision kits with past exam papers plus short video lectures straightforward resources always kept up to date to help you feel exam confident kaplan is one of only two acca approved publishers

study material acca paper f1 p7 economic grapevine - Aug 19 2022

web jun 27 2023 study material acca paper f1 p7 written by acca grapevine june 27 2023 12 minutes read in this post i m going to share acca study material for paper accountant in business f1 to advanced audit assurance aaa you can free download acca books exam kits short notes and video lectures from this single page

p7 pocket notes acca globalbox - Jul 18 2022

web p7 aaa pocket notes summarises the syllabus in short notes that makes student easy to remember and revision their syllabus near the exam these are the great source of studying revising and helping material to pass the exam candidates achieve high marks who use pocket notes and passcards to prepare for their acca exams

acca performance management pm pocket notes - Jun 16 2022

web pocket notes for acca applied skills performance management summary of crucial points and vital topics and an overview of key course content

free acca p1 lectures governance risk ethics opentuition - Oct 01 2023

web introduction to acca p1 governance risk ethics watch free acca p1 lectures free online p1 videos governance risk ethics

download free acca notes for acca exams opentuition - Mar 26 2023

web what is acca 20 off acca cima books december 2023 june 2024 exams get your discount code free acca notes explore all free acca notes in pdf format accountant in business ab

acca p1 kaplan study material acca study material - Nov 21 2022

web acca p1 kaplan study material is available for download on one click you can download acca p1 kaplan study material in pdf format at one place acca p1 kaplan study material will help you to prepare for your exams and get high marks you can cover your syllabus within a short period of time