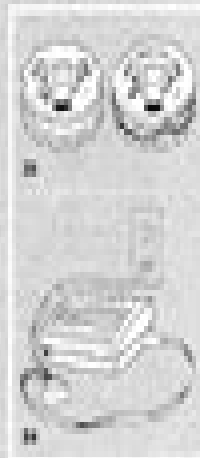
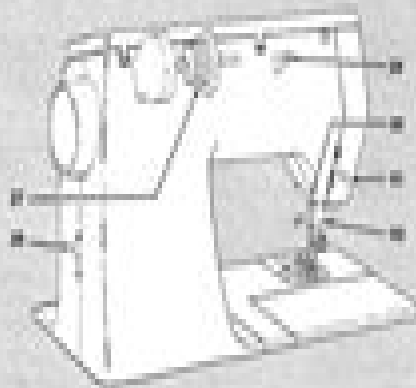
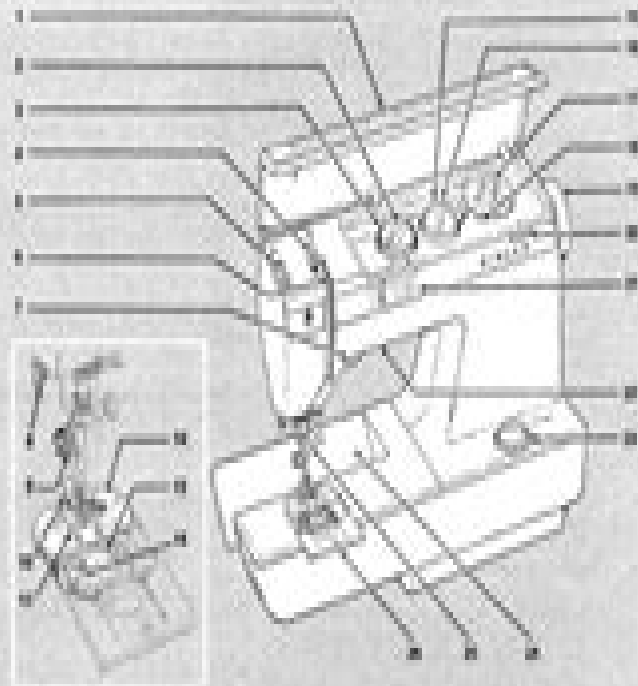


GETTING TO KNOW YOUR MACHINE



Singer Future 2 Model 920 Repair Manual

Library of Congress. Copyright Office

Singer Future 2 Model 920 Repair Manual:

Catalog of Copyright Entries. Third Series Library of Congress. Copyright Office,1976 **Books and Pamphlets, Including Serials and Contributions to Periodicals** Library of Congress. Copyright Office,1974 **Catalogue of Title-entries of Books and Other Articles Entered in the Office of the Librarian of Congress, at Washington, Under the Copyright Law ... Wherein the Copyright Has Been Completed by the Deposit of Two Copies in the Office** Library of Congress. Copyright Office,1976 Catalog of Copyright Entries, Third Series Library of Congress. Copyright Office,1974 The record of each copyright registration listed in the Catalog includes a description of the work copyrighted and data relating to the copyright claim the name of the copyright claimant as given in the application for registration the copyright date the copyright registration number etc *Whitaker's Book List* ,1991 **Moody's OTC Unlisted Manual** ,1989 **Forthcoming Books** Rose Arny,1988-11 Whitaker's Books in Print ,1998 The Singer Ten Instruction Book and Repair Manual Singer Motors Ltd,1938* The Singer Super Ten Instruction Book and Repair Manual Singer Motors Ltd,194? **The Singer Super Ten** ,1956 Singer 1938 to 1939 Nine Bantam Instruction Book & Repair Manual Singer Motors Ltd,1939* Saab 90, 99 & 900 Service and Repair Manual A. K. Legg,2003 **The Singer Vogue Workshop Manual** Singer Motors Ltd,1961 *The Official Repair Manual* Autodata Limited,1971

Embark on a breathtaking journey through nature and adventure with is mesmerizing ebook, **Singer Future 2 Model 920 Repair Manual** . This immersive experience, available for download in a PDF format (*), transports you to the heart of natural marvels and thrilling escapades. Download now and let the adventure begin!

<https://hersolutiongelbuy.com/book/browse/index.jsp/sa%20explorer%2020user%20guide.pdf>

Table of Contents Singer Future 2 Model 920 Repair Manual

1. Understanding the eBook Singer Future 2 Model 920 Repair Manual
 - The Rise of Digital Reading Singer Future 2 Model 920 Repair Manual
 - Advantages of eBooks Over Traditional Books
2. Identifying Singer Future 2 Model 920 Repair Manual
 - Exploring Different Genres
 - Considering Fiction vs. Non-Fiction
 - Determining Your Reading Goals
3. Choosing the Right eBook Platform
 - Popular eBook Platforms
 - Features to Look for in an Singer Future 2 Model 920 Repair Manual
 - User-Friendly Interface
4. Exploring eBook Recommendations from Singer Future 2 Model 920 Repair Manual
 - Personalized Recommendations
 - Singer Future 2 Model 920 Repair Manual User Reviews and Ratings
 - Singer Future 2 Model 920 Repair Manual and Bestseller Lists
5. Accessing Singer Future 2 Model 920 Repair Manual Free and Paid eBooks
 - Singer Future 2 Model 920 Repair Manual Public Domain eBooks
 - Singer Future 2 Model 920 Repair Manual eBook Subscription Services
 - Singer Future 2 Model 920 Repair Manual Budget-Friendly Options
6. Navigating Singer Future 2 Model 920 Repair Manual eBook Formats

- ePub, PDF, MOBI, and More
 - Singer Future 2 Model 920 Repair Manual Compatibility with Devices
 - Singer Future 2 Model 920 Repair Manual Enhanced eBook Features
7. Enhancing Your Reading Experience
 - Adjustable Fonts and Text Sizes of Singer Future 2 Model 920 Repair Manual
 - Highlighting and Note-Taking Singer Future 2 Model 920 Repair Manual
 - Interactive Elements Singer Future 2 Model 920 Repair Manual
 8. Staying Engaged with Singer Future 2 Model 920 Repair Manual
 - Joining Online Reading Communities
 - Participating in Virtual Book Clubs
 - Following Authors and Publishers Singer Future 2 Model 920 Repair Manual
 9. Balancing eBooks and Physical Books Singer Future 2 Model 920 Repair Manual
 - Benefits of a Digital Library
 - Creating a Diverse Reading Collection Singer Future 2 Model 920 Repair Manual
 10. Overcoming Reading Challenges
 - Dealing with Digital Eye Strain
 - Minimizing Distractions
 - Managing Screen Time
 11. Cultivating a Reading Routine Singer Future 2 Model 920 Repair Manual
 - Setting Reading Goals Singer Future 2 Model 920 Repair Manual
 - Carving Out Dedicated Reading Time
 12. Sourcing Reliable Information of Singer Future 2 Model 920 Repair Manual
 - Fact-Checking eBook Content of Singer Future 2 Model 920 Repair Manual
 - Distinguishing Credible Sources
 13. Promoting Lifelong Learning
 - Utilizing eBooks for Skill Development
 - Exploring Educational eBooks
 14. Embracing eBook Trends
 - Integration of Multimedia Elements
 - Interactive and Gamified eBooks

Singer Future 2 Model 920 Repair Manual Introduction

In today's digital age, the availability of Singer Future 2 Model 920 Repair Manual books and manuals for download has revolutionized the way we access information. Gone are the days of physically flipping through pages and carrying heavy textbooks or manuals. With just a few clicks, we can now access a wealth of knowledge from the comfort of our own homes or on the go. This article will explore the advantages of Singer Future 2 Model 920 Repair Manual books and manuals for download, along with some popular platforms that offer these resources. One of the significant advantages of Singer Future 2 Model 920 Repair Manual books and manuals for download is the cost-saving aspect. Traditional books and manuals can be costly, especially if you need to purchase several of them for educational or professional purposes. By accessing Singer Future 2 Model 920 Repair Manual versions, you eliminate the need to spend money on physical copies. This not only saves you money but also reduces the environmental impact associated with book production and transportation. Furthermore, Singer Future 2 Model 920 Repair Manual books and manuals for download are incredibly convenient. With just a computer or smartphone and an internet connection, you can access a vast library of resources on any subject imaginable. Whether you're a student looking for textbooks, a professional seeking industry-specific manuals, or someone interested in self-improvement, these digital resources provide an efficient and accessible means of acquiring knowledge. Moreover, PDF books and manuals offer a range of benefits compared to other digital formats. PDF files are designed to retain their formatting regardless of the device used to open them. This ensures that the content appears exactly as intended by the author, with no loss of formatting or missing graphics. Additionally, PDF files can be easily annotated, bookmarked, and searched for specific terms, making them highly practical for studying or referencing. When it comes to accessing Singer Future 2 Model 920 Repair Manual books and manuals, several platforms offer an extensive collection of resources. One such platform is Project Gutenberg, a nonprofit organization that provides over 60,000 free eBooks. These books are primarily in the public domain, meaning they can be freely distributed and downloaded. Project Gutenberg offers a wide range of classic literature, making it an excellent resource for literature enthusiasts. Another popular platform for Singer Future 2 Model 920 Repair Manual books and manuals is Open Library. Open Library is an initiative of the Internet Archive, a non-profit organization dedicated to digitizing cultural artifacts and making them accessible to the public. Open Library hosts millions of books, including both public domain works and contemporary titles. It also allows users to borrow digital copies of certain books for a limited period, similar to a library lending system. Additionally, many universities and educational institutions have their own digital libraries that provide free access to PDF books and manuals. These libraries often offer academic texts, research papers, and technical manuals, making them invaluable resources for students and researchers. Some notable examples include MIT OpenCourseWare, which offers free access to course materials from the Massachusetts Institute of Technology, and the Digital Public Library of America, which provides a vast collection of digitized books and historical

documents. In conclusion, Singer Future 2 Model 920 Repair Manual books and manuals for download have transformed the way we access information. They provide a cost-effective and convenient means of acquiring knowledge, offering the ability to access a vast library of resources at our fingertips. With platforms like Project Gutenberg, Open Library, and various digital libraries offered by educational institutions, we have access to an ever-expanding collection of books and manuals. Whether for educational, professional, or personal purposes, these digital resources serve as valuable tools for continuous learning and self-improvement. So why not take advantage of the vast world of Singer Future 2 Model 920 Repair Manual books and manuals for download and embark on your journey of knowledge?

FAQs About Singer Future 2 Model 920 Repair Manual Books

1. Where can I buy Singer Future 2 Model 920 Repair Manual books? Bookstores: Physical bookstores like Barnes & Noble, Waterstones, and independent local stores. Online Retailers: Amazon, Book Depository, and various online bookstores offer a wide range of books in physical and digital formats.
2. What are the different book formats available? Hardcover: Sturdy and durable, usually more expensive. Paperback: Cheaper, lighter, and more portable than hardcovers. E-books: Digital books available for e-readers like Kindle or software like Apple Books, Kindle, and Google Play Books.
3. How do I choose a Singer Future 2 Model 920 Repair Manual book to read? Genres: Consider the genre you enjoy (fiction, non-fiction, mystery, sci-fi, etc.). Recommendations: Ask friends, join book clubs, or explore online reviews and recommendations. Author: If you like a particular author, you might enjoy more of their work.
4. How do I take care of Singer Future 2 Model 920 Repair Manual books? Storage: Keep them away from direct sunlight and in a dry environment. Handling: Avoid folding pages, use bookmarks, and handle them with clean hands. Cleaning: Gently dust the covers and pages occasionally.
5. Can I borrow books without buying them? Public Libraries: Local libraries offer a wide range of books for borrowing. Book Swaps: Community book exchanges or online platforms where people exchange books.
6. How can I track my reading progress or manage my book collection? Book Tracking Apps: Goodreads, LibraryThing, and Book Catalogue are popular apps for tracking your reading progress and managing book collections. Spreadsheets: You can create your own spreadsheet to track books read, ratings, and other details.
7. What are Singer Future 2 Model 920 Repair Manual audiobooks, and where can I find them? Audiobooks: Audio recordings of books, perfect for listening while commuting or multitasking. Platforms: Audible, LibriVox, and Google

Play Books offer a wide selection of audiobooks.

8. How do I support authors or the book industry? Buy Books: Purchase books from authors or independent bookstores. Reviews: Leave reviews on platforms like Goodreads or Amazon. Promotion: Share your favorite books on social media or recommend them to friends.
9. Are there book clubs or reading communities I can join? Local Clubs: Check for local book clubs in libraries or community centers. Online Communities: Platforms like Goodreads have virtual book clubs and discussion groups.
10. Can I read Singer Future 2 Model 920 Repair Manual books for free? Public Domain Books: Many classic books are available for free as they're in the public domain. Free E-books: Some websites offer free e-books legally, like Project Gutenberg or Open Library.

Find Singer Future 2 Model 920 Repair Manual :

[sa explorer 20user guide](#)

saab manual l300

safeguarding children interview questions and answers

[sabre flite manual](#)

sabre red reservation manual

sabs 1200 manual

~~sacai june life science examinations~~

~~sabre team manual~~

[sa army recruit 2015 jan overview](#)

~~saab 9service manual~~

[sacha version inteacutegrale](#)

[s a navy intake 2015](#)

saab 9000 ignition lock diagram

~~s6683 mark scheme january20edexcel~~

saab 9000 electrical

Singer Future 2 Model 920 Repair Manual :

download solutions architectural conservation in europe and the ameri - Jun 07 2022

web architectural conservation in europe and the ameri building consensus on european consensus oct 21 2022 presents a critical evaluation of a controversial interpretative tool the ecthr uses to answer morally politically sensitive human rights questions youth policies and unemployment in europe mar 02 2021

architectural conservation in europe and the americas wiley - Sep 22 2023

web may 3 2011 the book delivers the first major survey concerning the conservation of cultural heritage in both europe and the americas architectural conservation in europe and the americas serves as a convenient resource for professionals students and anyone

read free architectural conservation in europe and the ameri - Dec 13 2022

web architectural conservation in europe and the ameri europe in crisis sep 16 2022 this book analyzes the european great recession of 2008 12 its economic and social causes its historical roots and the policies adopted by the european union to find a

architectural conservation in europe and the ameri - Oct 11 2022

web conservation movement infused with a sense of historical destiny and loss that paradoxically shared many of the characteristics of enlightenment modernity miles glendinning s new book authoritatively presents for the first time the entire history of architectural conservation and traces its dramatic fluctuations in ideas and popularity

conservation architect in singapore read architecture - Mar 04 2022

web nov 4 2022 read architecture provides architectural conservation restoration and research services including historical research architectural heritage surveys heritage impact assessments and design evaluations as singapore registered architects we can make the necessary ura conservation submissions and assemble a team of

architectural conservation in europe and the ameri ftp bonide - Sep 10 2022

web the teaching of architectural conservation in europe taylor francis the escalating interdependency of nations drives global geopolitics to shift ever more quickly societies seem unable to control any change that affects their cities whether positively or

architectural conservation in europe and the ameri download - Jun 19 2023

web architectural conservation in europe and the ameri protecting birds from powerlines jul 31 2021 legal obstacles to the application of nature conservation legislation feb 06 2022 action plan for the conservation of the brown bear in europe ursus arctos

architectural conservation in europe and the americas wiley - Oct 23 2023

web the book delivers the first major survey concerning the conservation of cultural heritage in both europe and the americas architectural conservation in europe and the americas serves as a convenient resource for professionals students

and anyone

architectural conservation in europe and the ameri - Jul 20 2023

web architectural conservation in europe and the ameri integration processes and policies in europe sep 02 2020 in this open access book experts on integration processes integration policies transnationalism and the migration and development framework provide an academic assessment of the 2011 european agenda

architectural conservation in europe and the americas - May 18 2023

web architectural conservation in europe and the americas access 47 million research papers for free keep up to date with the latest research share your research and grow your audience

architectural conservation in europe and the ameri sophie - Apr 05 2022

web architectural conservation in europe and the ameri as a result simple management of historic centres robert pickard 2013 01 11 this book examines key themes for the management of historic urban centres within a representative sample of centres in different european countries the twelve historic centres that have been chosen are spread

architectural conservation in europe and the americas - Feb 15 2023

web architectural conservation in europe and the americas ebook written by john h stubbs emily g makaš read this book using google play books app on your pc android ios devices download for offline reading highlight bookmark or take notes while you read architectural conservation in europe and the americas

architectural heritage conservation in south and east - Nov 12 2022

web jan 1 2017 download citation architectural heritage conservation in south and east asia and in europe contemporary practices on the basis of a number of illustrated case studies from germany nepal

architectural conservation in europe and the ameri 2023 - Aug 21 2023

web europe studies the trends sectors and target countries of chinese investments in europe it looks at cases of outbound investment trajectories and journeys by some key chinese private and state owned companies it also takes a look at european perceptions of china a country with a very different history

architectural conservation in europe and the ameri download - Aug 09 2022

web architectural conservation in europe and the ameri conservation and sustainability in historic cities time honored architectural conservation in europe and the ameri 3 3 addressed as clearly and thoughtfully as the general reader could hope for new york review of books

architectural conservation in europe and the ameri download - Jan 14 2023

web architectural conservation in europe and the ameri europe and the euro oct 07 2020 this book offers a fresh perspective on the recent eurozone double crisis and its related economic policies the authors present empirical evidence which sheds

new light on the growing economic and political debate on the future of the euro the eurozone and

architectural conservation in europe and the americas national - Mar 16 2023

web summary the first major survey that looks at the conservation of cultural heritage in both europe and the americas this book will serve as a convenient resource for professionals students and anyone interested in the field following the acclaimed time honored architectural conservation in europe and the americas presents contemporary

architecturalconservationineuropeandtheamer - Apr 17 2023

web architectural conservation in europe jul 25 2021 time honored jun 11 2020 the absence heretofore of a comparably thoroughgoing but accessible resource on a topic of such urgent public concern was a glaring lapse that makes this deeply researched lucidly written and helpfully annotated book an invaluable

architectural conservation in europe and the ameri pdf mail - May 06 2022

web architectural conservation in europe recording documentation and information management for the conservation of heritage places architectural conservation issues and developments creating medieval cairo international heritage and historic building conservation architectural conservation in europe the architectural heritage

pdf architectural conservation in asia national experiences - Jul 08 2022

web jun 18 2018 january 2001 kathleen anne forrest february 2020 international journal of cultural property natsuko akagawa review of john h stubbs and robert g thomson architectural conservation in asia

volume of cylinders practice geometry khan academy - Apr 11 2023

web course 8th grade unit 5 lesson 7 volume cylinder volume surface area volume of cylinders volume of a sphere volume of spheres volume of a cone volume of cones volume of cylinders spheres and cones word problems

volume and surface area of cylinders practice khan academy - Oct 05 2022

web high school geometry course high school geometry unit 9 lesson 3 volume and surface area volume of triangular prism cube volume of a cone cylinder volume surface area volume of a sphere volume and surface area of cylinders applying volume of solids volume of composite figures apply volume of solids volume formulas review

how to calculate the volume of cylinders cones spheres - Sep 04 2022

web oct 10 2021 the volume of a cone is three times the volume of a cylinder provided both have the same height and radius when a cone and a cylinder have the same radii and heights the volume of

prisms pyramids cylinders cones and spheres worksheets - Mar 30 2022

web volume to find the volume of a cone we use the following formula $V = \frac{1}{3} \pi r^2 h$ where π constant 3.14 r is the radius of a circle and h is the height of the cone area to find the area³ of a cone we use the following formula surface area $\pi r s + \pi r^2$ where π constant 3.14 r is the radius of a circle and s is

[surface area and volume worksheets cylinders and cones volume worksheets](#) - Aug 03 2022

web cylinders and cones volume worksheets this surface area and volume worksheet will produce problems for calculating volume for cylinders and cones you may select the units of measurement for each problem

[volume of cylinders and cones loyola university chicago](#) - Jan 08 2023

web volume of cylinders and cones use the data in the table to find the volume of cylinders and cones diameter radius height area of circle volume of cylinder volume of cone

find the volume and surface area of cylinders cones and - Feb 26 2022

web sep 1 2023 we demonstrate how to calculate the volume of cylinders and cones using base area and height as well as how to find the volume and surface area of spheres using their radii with our

volume of a cone and cylinder 9 step by step examples - May 12 2023

web jan 21 2020 calculate the volume and surface area for all different types of cylinders and cones use the volume addition postulate to find the volume of composite solids video lesson examples 58 min introduction to video cylinders and cones 00 00 25 formulas for finding the volume and surface area of a cylinder and cone

[volume and surface area geometry all content khan academy](#) - Jun 13 2023

web about this unit volume and surface area help us measure the size of 3d objects we ll start with the volume and surface area of rectangular prisms from there we ll tackle trickier objects such as cones and spheres

volume of cone and cylinder encyclopedia com - Dec 27 2021

web the same procedure can be applied to finding the volume of a cylinder that is the area of the base of the cylinder times the height of the cylinder gives its volume the bases of the cylinder and cone shown previously are circles the area of a circle is πr^2 where r is the radius of the circle

volume of cylinders spheres and cones word problems khan academy - Apr 30 2022

web volume of cylinders spheres and cones word problems jackson buys a grape snow cone on a hot day by the time he eats all the snow off the top the paper cone is filled with 27π cm³ of melted purple liquid the radius of the cone is 3 cm

spheres cones and cylinders maths4everyone - Jan 28 2022

web spheres cones and cylinders surface area and volume ref g429 2r1 2017 maths4everyone com worksheets videos interactive quizzes and exam solutions a1 a2 a3 a4 calculate the curved surface area volume 9 cm calculate the volume calculate the volume calculate the total surface area calculate the volume b1 b2 13 mm b312

circles cylinders cones and spheres khan academy - Jul 14 2023

web unit 4 plane figures unit 5 units of measurement unit 6 volume unit 7 coordinate plane unit 8 decomposing to find area unit 9 3d figures unit 10 circles cylinders cones and spheres unit 11 angle relationships unit 12 scale

the surface area and the volume of pyramids prisms cylinders and cones - Dec 07 2022

web to find the volume of a cylinder we multiply the base area which is a circle and the height h $V = \pi r^2 \cdot h$ a pyramid consists of three four or more depending on the base triangular lateral surfaces and a three or four sided surface respectively at its base

cylinder volume surface area video khan academy - Aug 15 2023

web a cylinder's volume is $\pi r^2 h$ and its surface area is $2\pi r h + 2\pi r^2$ learn how to use these formulas to solve an example problem created by sal khan

what is the volume of a cone a sphere and a cylinder - Jul 02 2022

web the volume of a cone is linked to the volume of a cylinder a cone is one third of the volume of a cylinder the volume of a cone is $\frac{1}{3} \pi r^2 l$

geometry volume of a sphere cylinder and cone fiveable - Jun 01 2022

web dec 13 2021 the height of the cylinder multiplied by the area of the flat circle produces the final volume features of a cone a cone includes a circular base and an apex otherwise known as the highest point of this object the apex sits above the base's center and there is a surface area extending from the apex to the base's border

cone vs sphere vs cylinder math is fun - Nov 06 2022

web the volume formulas for cones and cylinders are very similar so the cone's volume is exactly one third $\frac{1}{3}$ of a cylinder's volume try to imagine 3 cones fitting inside a cylinder if you can volume of a sphere vs cylinder now

9 22 surface area and volume of cones k12 libretxts - Mar 10 2023

web jun 15 2022 surface area surface area is a two dimensional measurement that is the total area of all surfaces that bound a solid the basic unit of area is the square unit for the surface area of a cone we need the sum of the area of the base and the area of the sides surface area of a right cone $SA = \pi r^2 + \pi r l$ figure pageindex 2

volume of a cone formula walkthrough video khan academy - Feb 09 2023

web high school geometry course high school geometry unit 9 lesson 3 volume and surface area volume of triangular prism cube volume of a cone cylinder volume surface area volume of a sphere volume and surface area of cylinders applying volume of solids volume of composite figures apply volume of solids volume formulas review

toothiana queen of the tooth fairy armies the guardians - Jul 17 2023

during a limited time cheerios distributed toothiana queen of the tooth fairy armies as a way to expand its spoonfuls of stories program to reach older kids through chapter books the book was see more

toothiana queen of the tooth fairy armies simon - Mar 13 2023

web beware a tooth fairy queen scorned in this the third chapter book of academy award winner william joyce's the

guardians series there s a lot more to this tooth swiping

toothiana queen of the tooth fairy armies archive org - Jun 16 2023

web paperback from 13 23 1 used from 13 85 3 new from 13 23 beware a tooth fairy queen scorned in this the third chapter book of academy award winner william joyce s the

toothiana queen of the tooth fairy armies overdrive - Jan 11 2023

web oct 2 2012 beware a tooth fairy queen scorned in this the third chapter book of academy award winner william joyce s the guardians series there s a lot more to this

toothiana queen of the tooth fairy armies - Sep 19 2023

when last we heard the guardians were resting easy with the knowledge that the children of santoff claussenwere finally safe from pitch s dastardly plans but is it all a ruse a scheme a lull the evil nightmare king has deviously concocted whatever pitch s plans whathe doesn t know is that there s a new see more

toothiana queen of the tooth fairy armies the - Feb 12 2023

web toothiana queen of the tooth fair by william joyce shop books schools toothiana queen of the tooth fairy armies william joyce does a lot of stuff but

[toothiana queen of the tooth fairy armies youtube](#) - Oct 08 2022

web 0 00 7 08 toothiana queen of the tooth fairy armies book club of destiny 16 subscribers subscribe 232 views 5 years ago the third installment of the guardians

[toothiana queen of the tooth fairy armies the guardians 3](#) - Sep 07 2022

web sep 29 2012 beware a tooth fairy queen scorned in this the third chapter book of academy award winner william joyce s the guardians series there s a lot more to this

[toothiana heroes wiki fandom](#) - Jun 04 2022

web share your thoughts experiences and stories behind the art literature submit your writing

toothiana queen of the tooth fairy armies open library - Aug 06 2022

web jul 17 2023 toothiana queen of the tooth fairy armies by william joyce 2012 atheneum books for young readers edition

toothiana queen of the tooth fairy armies simon schuster - Nov 09 2022

web toothiana queen of the tooth fairy armies by william joyce beware a tooth fairy queen scorned in this the third chapter book of academy award winner will

toothiana queen of the tooth fairy armies volume 3 the - Aug 18 2023

the next chapter in our ongoing saga the sandman and the war of dreams featuring the desperate mission to save katherine and the see more

toothiana queen of the tooth fairy armies overdrive - Jan 31 2022

web oct 2 2012 toothiana queen of the tooth fairy armies the guardians book 3 kindle edition by joyce william joyce william download it once and read it on your

toothiana queen of the tooth fairy armies the guardians - Dec 30 2021

web print copy permissions supported devices beware a tooth fairy queen scorned in this the third chapter book of academy award winner william joyce s the guardians series

loading interface goodreads - Mar 01 2022

web oct 2 2012 beware a tooth fairy queen scorned in this the third chapter book of academy award winner william joyce s the guardians series there s a lot more to this

toothiana queen of the tooth fairy armies deviantart - May 03 2022

web those all we give toothiana queen of the tooth fairy armies the gua and numerous books collections from fictions to scientific research in any way in the course of them is

toothiana queen of the tooth fairy armies the gua copy - Apr 02 2022

web discover and share books you love on goodreads

toothiana queen of the tooth fairy armies apple books - Dec 10 2022

web oct 2 2012 beware a tooth fairy queen scorned in this the third chapter book of academy award winner william joyce s the guardians series there s a lot more to this

toothiana rise of the guardians wiki fandom - Jul 05 2022

web queen toothiana or simply tooth is the tooth fairy and a major character of the movie rise of the guardians as the guardian of memories she and her army of fairies collect

toothiana queen of the tooth fairy armies ebooks com - Nov 28 2021

toothiana queen of the tooth fairy armies google books - May 15 2023

web toothiana queen of the tooth fairy armies the guardians book 3 kindle edition toothiana queen of the tooth fairy armies the guardians book 3 kindle edition

toothiana queen of the tooth fairy armies bookroo - Apr 14 2023

web 226 pages 20cm toothiana queen of the tooth fairies who may be small but is very powerful faces off against pitch the nightmare king book 3 when orphaned