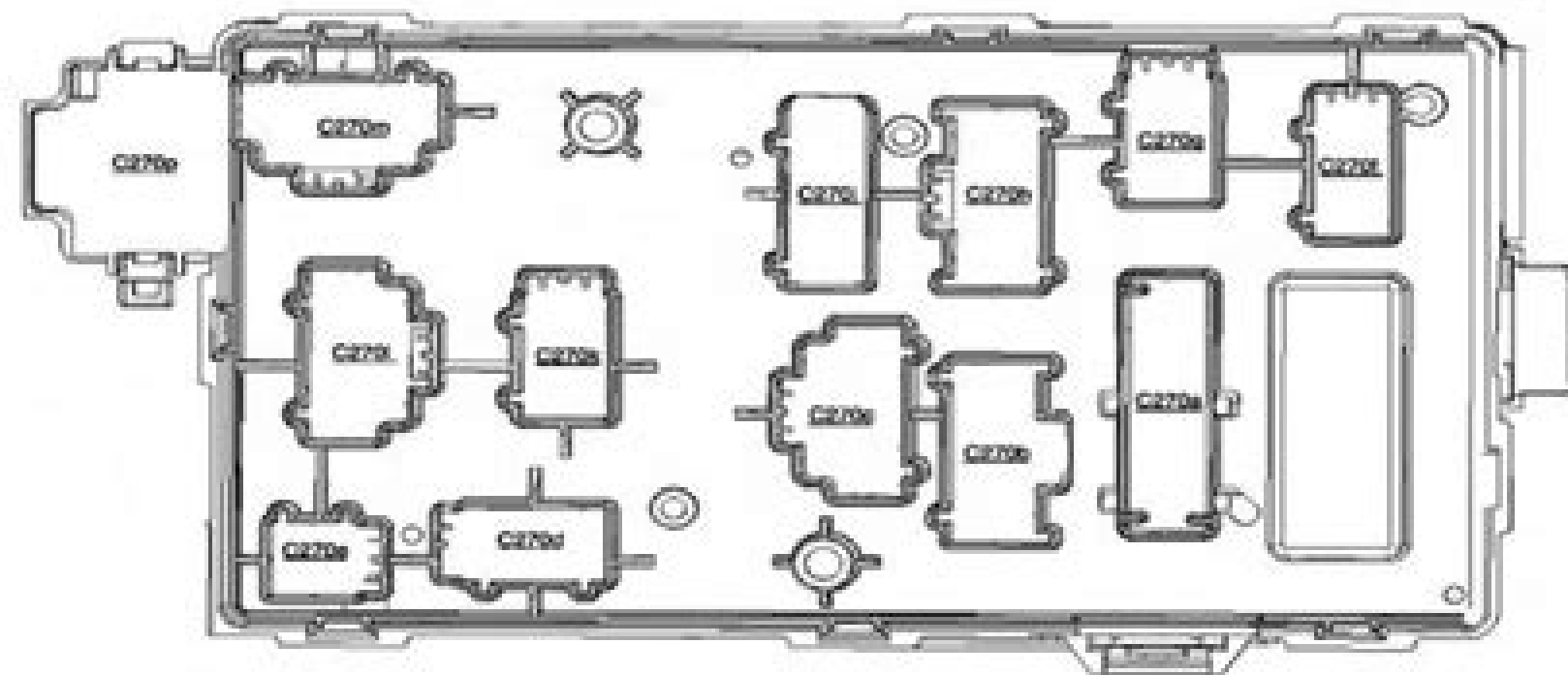
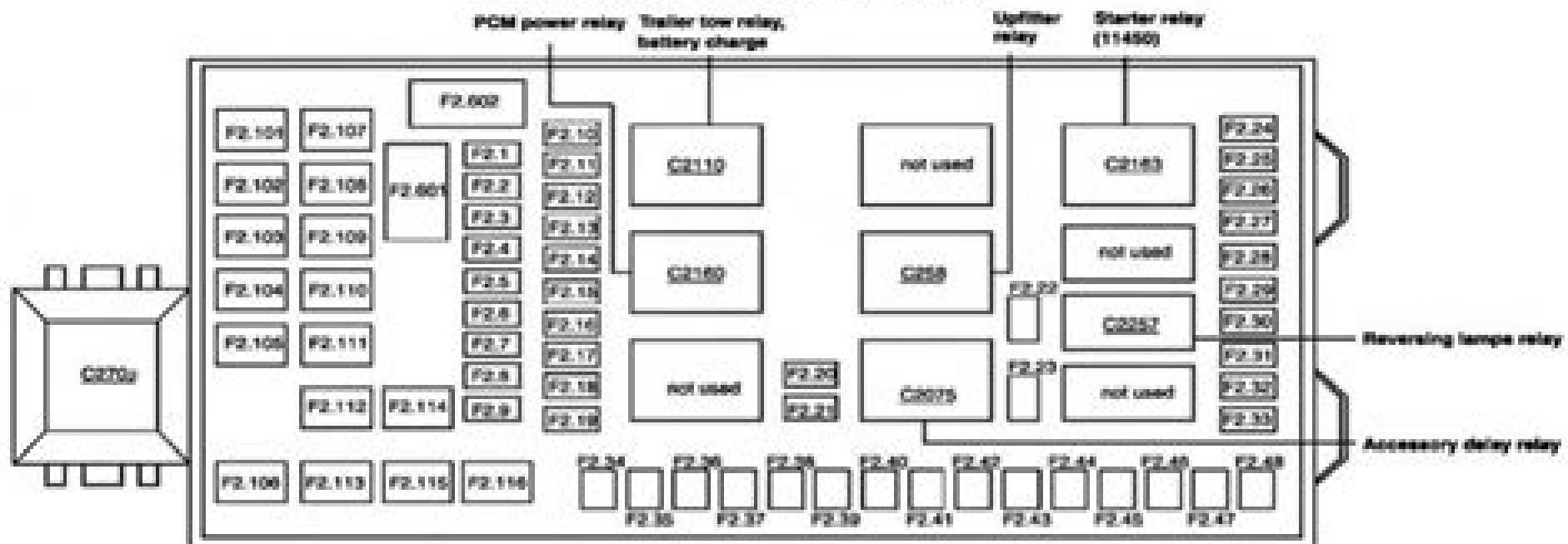


Central Junction Box (CJB) (14A067)



Toyota Quantum Fuse Box Diagrams

Camilla Rothe



Toyota Quantum Fuse Box Diagrams:

As recognized, adventure as competently as experience practically lesson, amusement, as competently as covenant can be gotten by just checking out a books **Toyota Quantum Fuse Box Diagrams** as well as it is not directly done, you could put up with even more approaching this life, on the world.

We present you this proper as well as easy showing off to get those all. We manage to pay for Toyota Quantum Fuse Box Diagrams and numerous ebook collections from fictions to scientific research in any way. in the middle of them is this Toyota Quantum Fuse Box Diagrams that can be your partner.

<https://hersolutiongelbuy.com/About/browse/fetch.php/review%20sheet%20exercise%2019%20blood%20answers.pdf>

Table of Contents Toyota Quantum Fuse Box Diagrams

1. Understanding the eBook Toyota Quantum Fuse Box Diagrams
 - The Rise of Digital Reading Toyota Quantum Fuse Box Diagrams
 - Advantages of eBooks Over Traditional Books
2. Identifying Toyota Quantum Fuse Box Diagrams
 - Exploring Different Genres
 - Considering Fiction vs. Non-Fiction
 - Determining Your Reading Goals
3. Choosing the Right eBook Platform
 - Popular eBook Platforms
 - Features to Look for in an Toyota Quantum Fuse Box Diagrams
 - User-Friendly Interface
4. Exploring eBook Recommendations from Toyota Quantum Fuse Box Diagrams
 - Personalized Recommendations
 - Toyota Quantum Fuse Box Diagrams User Reviews and Ratings
 - Toyota Quantum Fuse Box Diagrams and Bestseller Lists
5. Accessing Toyota Quantum Fuse Box Diagrams Free and Paid eBooks

- Toyota Quantum Fuse Box Diagrams Public Domain eBooks
 - Toyota Quantum Fuse Box Diagrams eBook Subscription Services
 - Toyota Quantum Fuse Box Diagrams Budget-Friendly Options
6. Navigating Toyota Quantum Fuse Box Diagrams eBook Formats
 - ePub, PDF, MOBI, and More
 - Toyota Quantum Fuse Box Diagrams Compatibility with Devices
 - Toyota Quantum Fuse Box Diagrams Enhanced eBook Features
 7. Enhancing Your Reading Experience
 - Adjustable Fonts and Text Sizes of Toyota Quantum Fuse Box Diagrams
 - Highlighting and Note-Taking Toyota Quantum Fuse Box Diagrams
 - Interactive Elements Toyota Quantum Fuse Box Diagrams
 8. Staying Engaged with Toyota Quantum Fuse Box Diagrams
 - Joining Online Reading Communities
 - Participating in Virtual Book Clubs
 - Following Authors and Publishers Toyota Quantum Fuse Box Diagrams
 9. Balancing eBooks and Physical Books Toyota Quantum Fuse Box Diagrams
 - Benefits of a Digital Library
 - Creating a Diverse Reading Collection Toyota Quantum Fuse Box Diagrams
 10. Overcoming Reading Challenges
 - Dealing with Digital Eye Strain
 - Minimizing Distractions
 - Managing Screen Time
 11. Cultivating a Reading Routine Toyota Quantum Fuse Box Diagrams
 - Setting Reading Goals Toyota Quantum Fuse Box Diagrams
 - Carving Out Dedicated Reading Time
 12. Sourcing Reliable Information of Toyota Quantum Fuse Box Diagrams
 - Fact-Checking eBook Content of Toyota Quantum Fuse Box Diagrams
 - Distinguishing Credible Sources
 13. Promoting Lifelong Learning
 - Utilizing eBooks for Skill Development

- Exploring Educational eBooks
14. Embracing eBook Trends
- Integration of Multimedia Elements
 - Interactive and Gamified eBooks

Toyota Quantum Fuse Box Diagrams Introduction

In this digital age, the convenience of accessing information at our fingertips has become a necessity. Whether its research papers, eBooks, or user manuals, PDF files have become the preferred format for sharing and reading documents. However, the cost associated with purchasing PDF files can sometimes be a barrier for many individuals and organizations. Thankfully, there are numerous websites and platforms that allow users to download free PDF files legally. In this article, we will explore some of the best platforms to download free PDFs. One of the most popular platforms to download free PDF files is Project Gutenberg. This online library offers over 60,000 free eBooks that are in the public domain. From classic literature to historical documents, Project Gutenberg provides a wide range of PDF files that can be downloaded and enjoyed on various devices. The website is user-friendly and allows users to search for specific titles or browse through different categories. Another reliable platform for downloading Toyota Quantum Fuse Box Diagrams free PDF files is Open Library. With its vast collection of over 1 million eBooks, Open Library has something for every reader. The website offers a seamless experience by providing options to borrow or download PDF files. Users simply need to create a free account to access this treasure trove of knowledge. Open Library also allows users to contribute by uploading and sharing their own PDF files, making it a collaborative platform for book enthusiasts. For those interested in academic resources, there are websites dedicated to providing free PDFs of research papers and scientific articles. One such website is Academia.edu, which allows researchers and scholars to share their work with a global audience. Users can download PDF files of research papers, theses, and dissertations covering a wide range of subjects. Academia.edu also provides a platform for discussions and networking within the academic community. When it comes to downloading Toyota Quantum Fuse Box Diagrams free PDF files of magazines, brochures, and catalogs, Issuu is a popular choice. This digital publishing platform hosts a vast collection of publications from around the world. Users can search for specific titles or explore various categories and genres. Issuu offers a seamless reading experience with its user-friendly interface and allows users to download PDF files for offline reading. Apart from dedicated platforms, search engines also play a crucial role in finding free PDF files. Google, for instance, has an advanced search feature that allows users to filter results by file type. By specifying the file type as "PDF," users can find websites that offer free PDF downloads on a specific topic. While downloading Toyota Quantum Fuse Box Diagrams free PDF files is convenient, its important to note that copyright laws must be respected. Always ensure that the PDF files you download are

legally available for free. Many authors and publishers voluntarily provide free PDF versions of their work, but its essential to be cautious and verify the authenticity of the source before downloading Toyota Quantum Fuse Box Diagrams. In conclusion, the internet offers numerous platforms and websites that allow users to download free PDF files legally. Whether its classic literature, research papers, or magazines, there is something for everyone. The platforms mentioned in this article, such as Project Gutenberg, Open Library, Academia.edu, and Issuu, provide access to a vast collection of PDF files. However, users should always be cautious and verify the legality of the source before downloading Toyota Quantum Fuse Box Diagrams any PDF files. With these platforms, the world of PDF downloads is just a click away.

FAQs About Toyota Quantum Fuse Box Diagrams Books

How do I know which eBook platform is the best for me? Finding the best eBook platform depends on your reading preferences and device compatibility. Research different platforms, read user reviews, and explore their features before making a choice. Are free eBooks of good quality? Yes, many reputable platforms offer high-quality free eBooks, including classics and public domain works. However, make sure to verify the source to ensure the eBook credibility. Can I read eBooks without an eReader? Absolutely! Most eBook platforms offer webbased readers or mobile apps that allow you to read eBooks on your computer, tablet, or smartphone. How do I avoid digital eye strain while reading eBooks? To prevent digital eye strain, take regular breaks, adjust the font size and background color, and ensure proper lighting while reading eBooks. What the advantage of interactive eBooks? Interactive eBooks incorporate multimedia elements, quizzes, and activities, enhancing the reader engagement and providing a more immersive learning experience. Toyota Quantum Fuse Box Diagrams is one of the best book in our library for free trial. We provide copy of Toyota Quantum Fuse Box Diagrams in digital format, so the resources that you find are reliable. There are also many Ebooks of related with Toyota Quantum Fuse Box Diagrams. Where to download Toyota Quantum Fuse Box Diagrams online for free? Are you looking for Toyota Quantum Fuse Box Diagrams PDF? This is definitely going to save you time and cash in something you should think about. If you trying to find then search around for online. Without a doubt there are numerous these available and many of them have the freedom. However without doubt you receive whatever you purchase. An alternate way to get ideas is always to check another Toyota Quantum Fuse Box Diagrams. This method for see exactly what may be included and adopt these ideas to your book. This site will almost certainly help you save time and effort, money and stress. If you are looking for free books then you really should consider finding to assist you try this. Several of Toyota Quantum Fuse Box Diagrams are for sale to free while some are payable. If you arent sure if the books you would like to download works with for usage along with your computer, it is possible to download free trials. The free guides make it easy for someone to free access online library for download books to

your device. You can get free download on free trial for lots of books categories. Our library is the biggest of these that have literally hundreds of thousands of different products categories represented. You will also see that there are specific sites catered to different product types or categories, brands or niches related with Toyota Quantum Fuse Box Diagrams. So depending on what exactly you are searching, you will be able to choose e books to suit your own need. Need to access completely for Campbell Biology Seventh Edition book? Access Ebook without any digging. And by having access to our ebook online or by storing it on your computer, you have convenient answers with Toyota Quantum Fuse Box Diagrams To get started finding Toyota Quantum Fuse Box Diagrams, you are right to find our website which has a comprehensive collection of books online. Our library is the biggest of these that have literally hundreds of thousands of different products represented. You will also see that there are specific sites catered to different categories or niches related with Toyota Quantum Fuse Box Diagrams So depending on what exactly you are searching, you will be able to choose ebook to suit your own need. Thank you for reading Toyota Quantum Fuse Box Diagrams. Maybe you have knowledge that, people have search numerous times for their favorite readings like this Toyota Quantum Fuse Box Diagrams, but end up in harmful downloads. Rather than reading a good book with a cup of coffee in the afternoon, instead they juggled with some harmful bugs inside their laptop. Toyota Quantum Fuse Box Diagrams is available in our book collection an online access to it is set as public so you can download it instantly. Our digital library spans in multiple locations, allowing you to get the most less latency time to download any of our books like this one. Merely said, Toyota Quantum Fuse Box Diagrams is universally compatible with any devices to read.

Find Toyota Quantum Fuse Box Diagrams :

[review sheet exercise 19 blood answers](#)

[review module chapters 17 answer key](#)

[respiroics alice 5 manual](#)

[review biology chapter 12 answers key](#)

[resnick halliday solutions 8th edition](#)

[reteaching activity parliament limits the english monarchy answers](#)

[reteaching activity the presidency answer key](#)

[resource book for geometry houghton mifflin answers lessons through 5](#)

[review sheet 7 special senses answers](#)

[review guide answers geometry holt mcdougal](#)

[review balancing equations answers](#)

reteaching workbook grade 10 answers
restaurant cleaning schedule template
[respiratory system coloring pages](#)
respironics trilogy 100 user manual

Toyota Quantum Fuse Box Diagrams :

[the phlebotomy textbook 3rd ed phlebotomy notes - Sep 20 2023](#)

web oct 4 2012 the phlebotomy textbook 3rd ed phlebotomy notes authors f a davis f a davis publishing edition 3 publisher f a davis company 2012 isbn 0803638817 9780803638815 subjects

pkg phlebotomy notes phlebotomy text 3e amazon com - Nov 10 2022

web oct 4 2012 pkg phlebotomy notes phlebotomy text 3e 9780803638815 medicine health science books amazon com books art collectibles acx audiobook publishing made easy sell on amazon start a selling account amazon business everything for your business amazon fresh groceries more

phlebotomy textbook 3e pdf - Oct 09 2022

web the complete textbook of phlebotomy feb 05 2023 with a strong emphasis on hands on learning this highly practical text helps you develop the phlebotomy related knowledge and skills you need to become a confident competent health care professional

[the phlebotomy textbook f a davis company - Dec 11 2022](#)

web the phlebotomy textbook 3rd edition susan king strasinger da mt ascp marjorie schaub di lorenzo mt ascp sh isbn 13 978 0 8036 2057 5 2011 paperback 504 pages add to favorites about this book resources description please note the cd packaged with this product is no longer compatible with most current operating systems

the phlebotomy textbook 3e tapa blanda iberlibro com - Aug 07 2022

web the phlebotomy textbook 3e de strasinger susan king di lorenzo marjorie schaub en iberlibro com isbn 10 0803620578 isbn 13 9780803620575 f a davis company 2011 tapa blanda

[phlebotomy simplified 3rd edition etextbook subscription - Jun 17 2023](#)

web sep 15 2020 phlebotomy simplified introduces basic phlebotomy practice via a step by step practice oriented approach to blood collection procedures published by pearson september 15th 2020 copyright 2019

[the phlebotomy textbook 3rd edition copy staff txmq - Mar 02 2022](#)

web the complete textbook of phlebotomy phlebotomy phlebotomy essentials understanding anatomy physiology 3e foundations of clinical research transfusion medicine and hemostasis phlebotomy notes family health care nursing evidence

based physical therapy hartman s complete guide for the phlebotomy technician
[the phlebotomy textbook 3e paperback 28 february 2011](#) - Jan 12 2023

web buy the phlebotomy textbook 3e by strasinger susan king di lorenzo marjorie schaub online on amazon ae at best prices fast and free shipping free returns cash on delivery available on eligible purchase

phlebotomy textbook 3e 2023 - Feb 01 2022

web phlebotomy textbook 3e essentials of development economics third edition nov 20 2021 written to provide students with the critical tools and approaches used by development economists essentials of development economics represents an alternative approach to traditional textbooks on the subject compact and less

[the phlebotomy textbook 3e a z bookstore](#) - May 16 2023

web a z bookstore provides more than 10 000 titles in all elds of science and knowledge in addition to many medical tools anatomical models and antomy charts

phlebotomy textbook 3e help environment harvard edu - Apr 03 2022

web it is your enormously own era to doing reviewing habit in the course of guides you could enjoy now is phlebotomy textbook 3e below maternal newborn nursing robert durham 2013 10 15 a better way to learn maternal and newborn nursing this unique presentation provides tightly focused maternal newborn coverage in a highly structured text

[the phlebotomy textbook 3e p d f ppt slideshare](#) - Jun 05 2022

web dec 3 2018 the phlebotomy textbook 3e description please continue to the next page their 3rd edition reflects current clsi standards and offers greater emphasis on quality assessment and preanalytical considerations it includes up to date information on safety equipment phlebotomy techniques laboratory information and identification systems

[3e 2011 the phlebotomy textbook pdf course hero](#) - Aug 19 2023

web may 18 2023 the phlebotomy textbook susan king strasinger marjorie schaub di lorenzo 3rd ed p cm rev ed of the phlebotomy workbook susan king strasinger marjorie schaub di lorenzo 2nd ed c2003 includes bibliographical references and index isbn 978 0 8036 2057 5 1 phlebotomy practice i di lorenzo marjorie schaub 1953

amazon com the phlebotomy textbook 3rd edition - Apr 15 2023

web complete textbook of phlebotomy 3rd edition jan 1 2005 1 paperback 12744 3 99 delivery jun 21 26 or fastest delivery jun 20 22 more buying choices 18 21 13 used new offers the complete textbook of phlebotomy medical lab technician solutions to enhance your courses by lynn b hoeltke 2006 01 06 10 paperback

phlebotomy a competency based approach 3rd edition - Feb 13 2023

web jan 13 2012 the third edition of phlebotomy a competency based approach was designed to provide a complete introduction to the practice of phlebotomy with complete coverage of safety procedures equipment point of care testing and

other skills the textbook speaks directly to students and encourages them to identify and apply the [the phlebotomy textbook google books](#) - Sep 08 2022

web ebook from 35 98 get this book in print my library my history the phlebotomy textbook susan king strasinger marjorie schaub di lorenzo f a davis feb 25 2019 medical 552 pages

the phlebotomy textbook 3e slideshare - May 04 2022

web the phlebotomy textbook 3e download last page detail the phlebotomy textbook 3e author susan king strasingerq pages 512 pagesq publisher f a davis

phlebotomy worktext and procedure manual 3rd edition - Mar 14 2023

web feb 1 2014 phlebotomy worktext and procedure manual 3rd edition laboratory medicine oxford academic issue 1 next journal article phlebotomy worktext and procedure manual 3 rd edition edited by warekois robin s bs mt ascp and robinson richard 362 pages st louis elsevier saunders 2012 73 95 isbn

the complete textbook of phlebotomy third edition flashcards - Jul 18 2023

web the complete textbook of phlebotomy third edition terms in this set 110 phlebotomists are an important part of the health care team because they represent the lab and institution direct contact w patient perform tasks that are critical to the patient's diagnosis phlebotomists often have many duties and tasks and this is a primary duty

the phlebotomy textbook 3ed medical ebooks store - Jul 06 2022

web the phlebotomy textbook 3ed quality safety and education issues were obviously very much a part of the authors agenda i was pleased to see file size 19 mb

5 must have vitamix cookbooks for australia - Apr 21 2022

web aug 17 2018 the vitamix cookbook discover simple ways to incorporate more whole foods into your daily diet using a blender with this gorgeous cookbook featuring 200 delicious recipes and more than fifty full color photos the first widely available cookbook from the vitamix brand

100th anniversary cookbook vitamix com - Jun 23 2022

web try 100 delicious whole food recipes follow easy step by step instructions learn about the early years of vitamix and how it grew into the company it is today not sure what to make page through dozens of vivid recipe photos that will help inspire your next meal or snack what comes in the box 100th anniversary cookbook specifications

the vitamix cookbook 250 delicious whole food recipes to - Jul 05 2023

web oct 13 2015 discover simple ways to incorporate more whole foods into your daily diet using a blender with this gorgeous cookbook featuring 200 delicious recipes and more than fifty full color photos the first widely available cookbook from the vitamix brand

whole grains cookbook by vitamix cookbooks whole food recipes - Feb 17 2022

web nov 6 2017 developed by vitamix chefs this cookbook is invaluable for anyone who wants to learn how to grind fresh flour from whole grains or start making homemade breads

[vitamix whole grains cookbook 50 recipes by vitamix](#) - Mar 01 2023

web vitamix whole grains cookbook 50 recipes by vitamix amazon co uk everything else

[vitamix whole food recipes amazon com](#) - Mar 21 2022

web jan 1 2010 vitamix whole food recipes hardcover january 1 2010 by vitamix author 4 5 62 ratings see all formats and editions hardcover 29 99 15 used from 4 95 4 new from 22 00 1 collectible from 19 99 spiral bound 28 11 2 used from 28 11 language english publisher vita mix corporation publication date

whole grains cookbook vitamix com - Jan 31 2023

web developed by vitamix chefs this cookbook is invaluable for grinding fresh flour from whole grains or making homemade breads and cereals specifications product specifications compatibility c series standard variable speed models dimensions 7 in x 9 in isbn n a design feature 104 pages full colour photography

whole grains cookbook vitamix - Apr 02 2023

web developed by vitamix chefs this cookbook is invaluable for grinding fresh flour from whole grains or making homemade breads and cereals

vitamix 100th anniversary cookbook 100 whole food recipes - Aug 26 2022

web apr 27 2021 the favorite recipes preparation techniques and stories from vitamix and vitamix fans and celebrities in the vitamix 100th anniversary cookbook will inspire you to make delicious and easily prepared whole foods part of your lifestyle

whole grains cookbook by vitamix cookbooks - Oct 08 2023

web developed by vitamix chefs this cookbook is invaluable for grinding fresh flour from whole grains or making homemade breads and cereals specifications product specifications compatibility c series standard variable speed models dimensions 7 in x 9 in isbn n a design feature 104 pages full colour photography

vitamix whole fresh grains cookbook blender babes - Nov 28 2022

web developed by vitamix chefs this cookbook is invaluable for anyone who wants to learn how to grind fresh flour from whole grains or start making homemade breads complete with helpful hints on grinding grain and kneading dough in the same container this book has a total of 50 recipes

vitamix 100th anniversary cookbook 100 whole food recipes - Sep 26 2022

web apr 27 2021 jodi berg vitamix 100th anniversary cookbook 100 whole food recipes from our fans family hardcover april 27 2021 by jodi berg phd author bryn mooth editor 4 5 663 ratings see all formats and

vitamix whole grains recipe book amazon com - Aug 06 2023

web feb 10 2009 developed by vitamix chefs this cookbook is invaluable for anyone who wants to learn how to grind fresh flour from whole grains or start making homemade breads complete with helpful hints on grinding grain and kneading dough in the same container this book has a total of 50 recipes

vitamix bread joy of blending - Jul 25 2022

web oct 22 2012 i love the vitamix grain grinder this also works perfectly for quick rise breads like muffins and especially pancakes with a dry container grind the wheat berries 1 75 cups until fine and add the salt 1 t and baking powder 1 t and blend thoroughly

vitamix whole grains cookbook amazon com books - May 03 2023

web apr 22 2021 this item vitamix whole grains cookbook 2110 vitamix 100th anniversary cookbook 100 whole food recipes from our fans family 2353 the vitamix cookbook 250 delicious whole food recipes to

shop all vitamix cookbooks simply entertaining whole grains vitamix - Jun 04 2023

web shop the vitamix online store for cookbooks to help guide you to create some of our favorite recipes to help you feed your life

whole grains cookbook by vitamix cookbooks - Sep 07 2023

web developed by vitamix chefs this cookbook is invaluable for anyone who wants to learn how to grind fresh flour from whole grains or start recipes support cart cart free standard shipping on orders over 100 whole grains cookbook whole grains cookbook 15 95 eligible for free shipping share whole grains cookbook about features

amazon com customer reviews the vitamix cookbook 250 delicious whole - Oct 28 2022

web jul 13 2023 the vitamix cookbook 250 delicious whole food recipes to make in your blender di 3 people found this helpful sign in to filter reviews 2 232 total ratings 427 with reviews from the united states di helps to know your vitamix using a cookbook reviewed in the united states on july 13 2023 verified purchase i love my vitamix

vitamix recipes great british chefs - May 23 2022

web feta and yoghurt dip with garlic and fresh herbs by ren behan chipotle and coffee barbecued short ribs by helen graves gooseberry turmeric and pistachio frangipane tart by anna hansen tropical eton mess by galton blackiston browse our collection of vitamix recipes and get some inspiration for how to use this incredibly high powered

shop all vitamix cookbooks simply entertaining whole grains vitamix - Dec 30 2022

web shop the vitamix online store for cookbooks to help guide you to create some of our favorite recipes to help you feed your life

download full undergraduate prospectus university of zimbabwe - Oct 30 2022

web aug 31 2023 download full undergraduate prospectus university of zimbabwe 1 1 downloaded from uniport edu ng on august 31 2023 by guest download full undergraduate prospectus university of zimbabwe this is likewise one of the factors by obtaining the soft documents of this download full undergraduate prospectus

download full undergraduate prospectus university of zimbabwe - Jan 01 2023

web download full undergraduate prospectus university of zimbabwe 1 8 downloaded from uniport edu ng on august 14 2023 by guest download full undergraduate prospectus university of zimbabwe getting the books download full undergraduate prospectus university of zimbabwe now is not type of inspiring means

download full undergraduate prospectus university of zimbabwe - Sep 28 2022

web sep 15 2023 download full undergraduate prospectus university of zimbabwe 1 1 downloaded from uniport edu ng on september 15 2023 by guest download full

programmes university of zimbabwe - Feb 02 2023

web 4 e resources use and applications in university learning and business year 1 library 5 zimbabwe strategic studies year 1 faculty of arts and humanities 6 student development and life skills year 1 4 students affairs 7 language acquisition and inter cultural communication year 1 4 faculty of arts and humanities faculty of

all universities in zimbabwe university prospectus 2023 2024 - Mar 23 2022

web women s university in africa prospectus zimbabwe ezekieli guti university prospectus zimbabwe open university prospectus other posts official solusi university application form 2020 2021 online admissions official southern africa methodist university samu application form 2020 2021 online admissions

uz university of zimbabwe - Apr 04 2023

web university of zimbabwe press new publication 2023 click here for more information read more postgraduate degree programmes february 2024 intake click here for more information read more

postgraduate programmes - Feb 19 2022

web master of science degree in social ecology full time and part time master of science in population studies master of science degree in occupational psychology master of science in sociology and social anthropology full time and part time master of science rural and urban planning master of public administration full time and part time

download full undergraduate prospectus university of zimbabwe - May 25 2022

web download full undergraduate prospectus university of zimbabwe 3 3 students enrolments universities are competing within their home market as well as in the international market and as government funding for public universities is reducing there is pressure on universities to seek additional income by increasing their student

prospectus great zimbabwe university - Jul 27 2022

web general prospectus explore programmes offered at great zimbabwe university

university of zimbabwe prospectus 2024 2025 zfinder - Sep 09 2023

web applications are invited from suitably qualified applicants for admissions into various undergraduate postgraduate diploma certificate short courses distance learning and others programmes in any of university of zimbabwe intake in the 2024 2025 academic year sponsored links

gzu prospectus download a prospectus collegepan - Jun 25 2022

web jun 21 2023 most institution has both online and paper versions of their prospectus and they are divided into an undergraduate prospectus and a postgraduate prospectus if asked an application form can be sent great zimbabwe university prospectus brochure 2023 2024 academic year download a great zimbabwe university

the university of zimbabwe uz - Oct 10 2023

web undergraduate degree programmes b bachelor of dental surgery bds 3 a level passes in chemistry compulsory any 2 of biology physics or maths 6yrs advanced level passes in at least two of the following biology chemistry physics mathematics geography agriculture computers and nutrition

zimbabwe open university prospectus 2024 2025 zfinder - Apr 23 2022

web applications are invited from suitably qualified applicants for admissions into various undergraduate postgraduate diploma certificate short courses distance learning and others programmes in any of zimbabwe open university intake in the 2023 2024 academic year sponsored links

downloads zimbabwe national defence university - Aug 28 2022

web welcome to the zimbabwe national university zndu the university grew out of the national defence college in 2017 to become a state university and in february 2021 it opened its doors to the general public currently it offers undergraduate and postgraduate programmes

undergraduate admissions university of zimbabwe - Aug 08 2023

web applicants can go to emhare uz ac zw applicantsdetails download for instructions on how to complete the online application form successful applicants will be notified by through the uz website facebook through the

university of zimbabwe prospectus pdf download satatu com - May 05 2023

web jun 22 2023 find here the university of zimbabwe prospectus pdf download 2023 2024 and more download an prospectus for undergraduate programmes postgraduate bachelor certificate diploma masters higher diploma diploma as well as doctorate phd courses university of zimbabwe prospectus pdf download

download full undergraduate prospectus university of zimbabwe - Nov 30 2022

web aug 19 2023 right here we have countless ebook download full undergraduate prospectus university of zimbabwe and

collections to check out we additionally give variant types and then type of the books to browse

download university of zimbabwe prospectus pdf 2023 - Jul 07 2023

web sep 16 2023 our current university prospectus publication gives the full detailed information about all the courses we offer and their particular details download view our prospectus here below download university of zimbabwe prospectus pdf university of zimbabwe

uz prospectus 2015 to 2018 pdf university and college - Mar 03 2023

web uz prospectus 2015 to 2018 free ebook download as pdf file pdf text file txt or view presentation slides online the university of zimbabwe prospectus 2015 to 2018

uz prospectus download a prospectus collegepan collegepan - Jun 06 2023

web oct 18 2023 uz prospectus download a prospectus university of zimbabwe is education institution in africa and here we have discussed about university of zimbabwe prospectus brochure for undergraduate courses phd courses postgraduate courses masters and research degrees